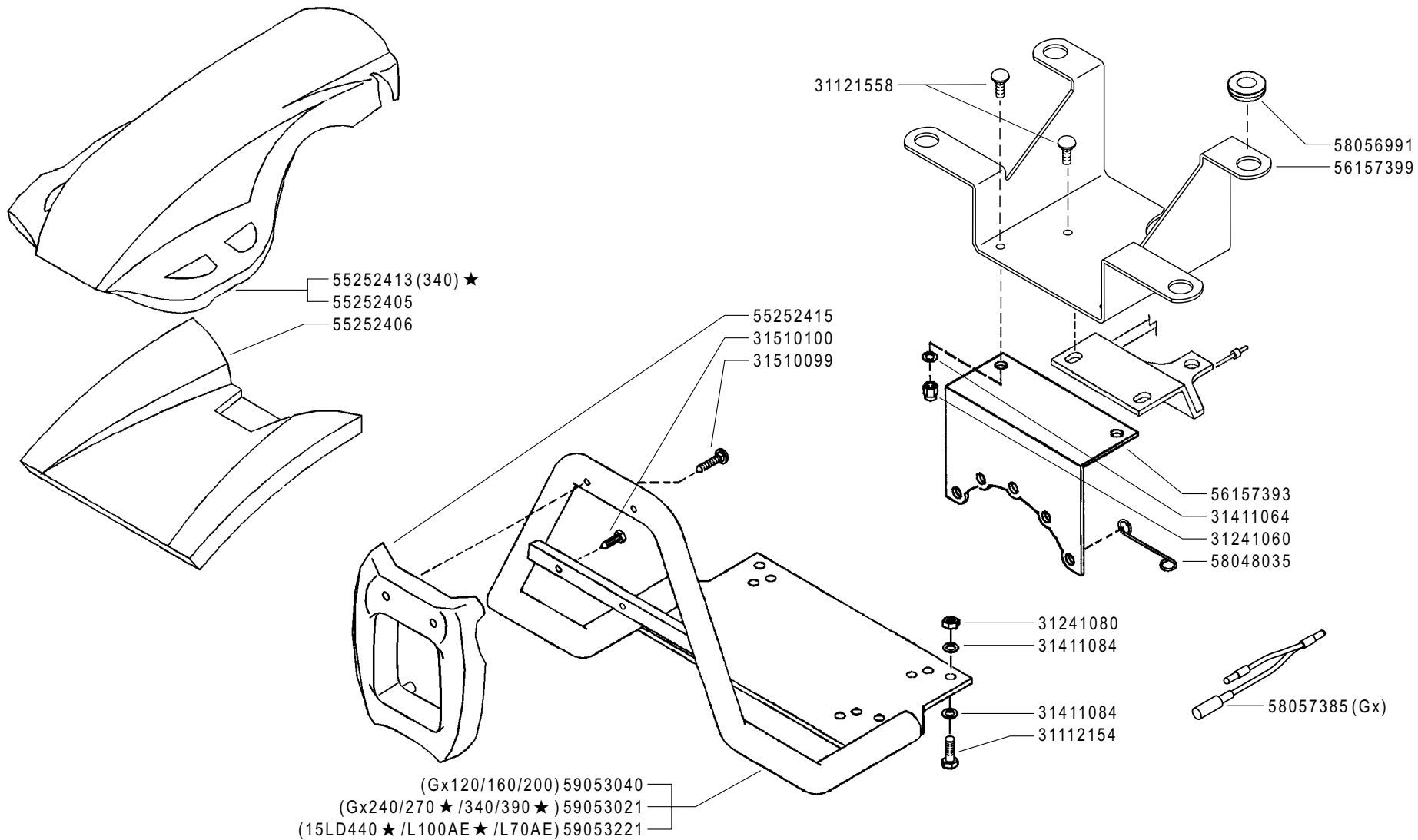


Inhoudsopgave

Drijfwerkhuis 00	13
Elecktrisch 02	41
Kappen 04	11
Koppeling 03	15
Motorkapje 00	47
Schakelpoken 00	35
Stickers 01	43
Stuur & Kabels 00	31
Stuurboom 00	27
Tandwielen 01	21
Type Stickers 02	49
Wielas 00	25
Wielen & Banden 01	39
Parts Index	51

Code	Description	Notes
C01_1_60543	C01_01 - ENGINE PROTECTIONS	
C01_2_60545	C01_02 - ENGINE PROTECTIONS	
C01_3_60548	C01_03 - ENGINE PROTECTIONS	
D01_2_60564	CLUTCH	
C.01.01.A0027_04	ENGINE PROTECTIONS	
E02_0_60592	GEARBOX (340)	
D.01.02.A0027_03	CLUTCH	
F03_0_60629	GEARS (340)	
F.03.02.A0027_01	GEARS (340)	
G03_0_60674	DIFFERENTIAL (340)	
H03_0_60737	STEERING COLUMN (340)	
I03_0_60817	HANDLEBAR (340)	
J03_0_60869	CONTROLS (340)	
K01_1_60913	WHEELS	
L01_2_60940	ELECTRIC STARTER	Version: 320 trendy, 330 trendy
M01_1_60965	STICKERS	
M02_1_60983	STICKERS	
S.01.01.A0027_00	S01_00 - ENGINE COVER KIT	
M.02.02.A0027_02	STICKERS	



PROTEZIONI MOTORE

ENGINE PROTECTIONS
PROTECCIONES MOTOR

PROTECTIONS MOTEUR
MOTORSCHUTZ

DALLA MACCHINA
FROM THE MACHINE
DE LA MACHINE
DE LA MAQUINA
AB DER MASCHINE

★ N.

AGGIORNAMENTO
REVISION
MISE A JOUR
APLAZAMIENTO
ANPASSUNG

C01 1

10/2008

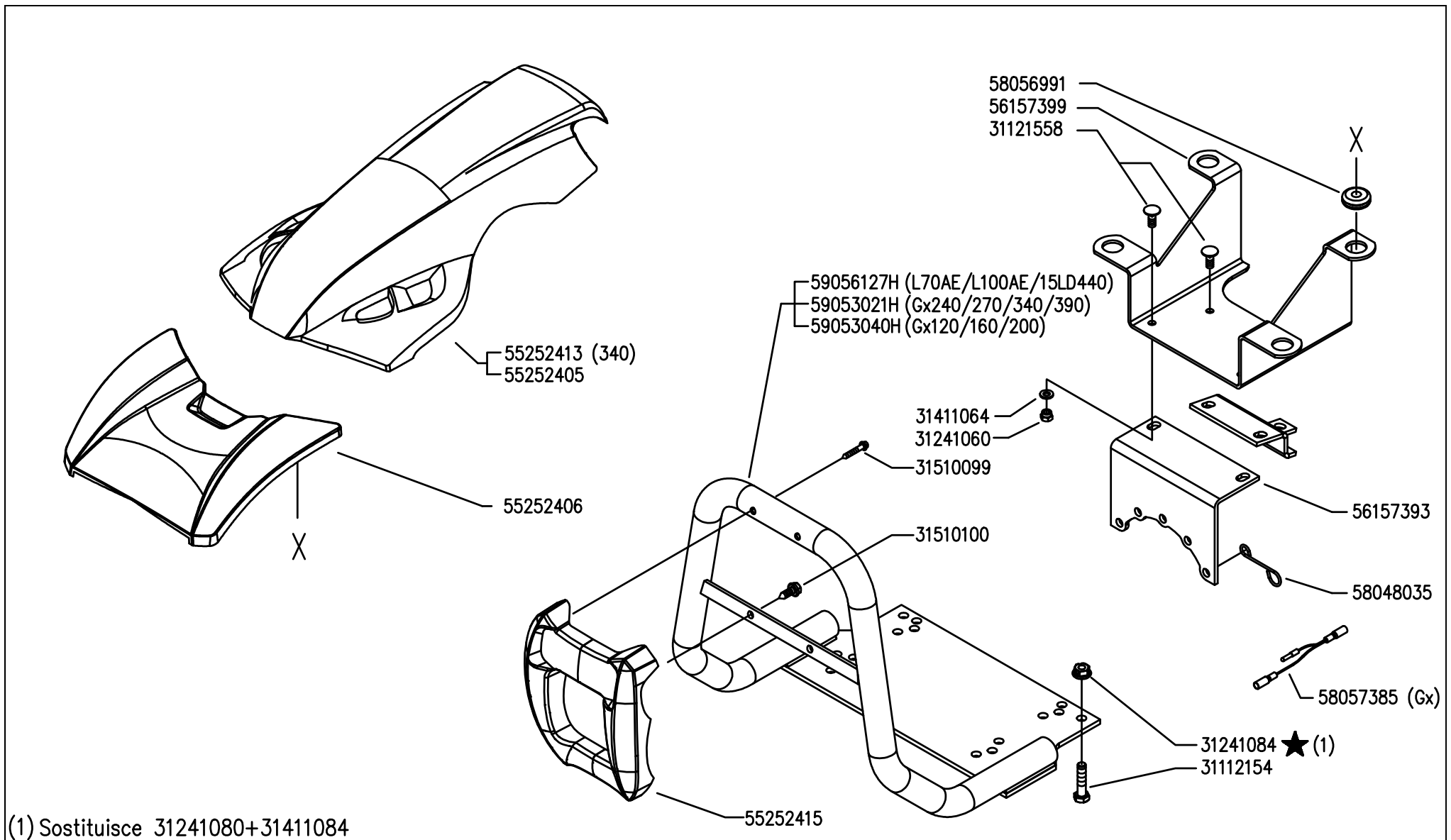
Rev.

ZENNE

FERRARI

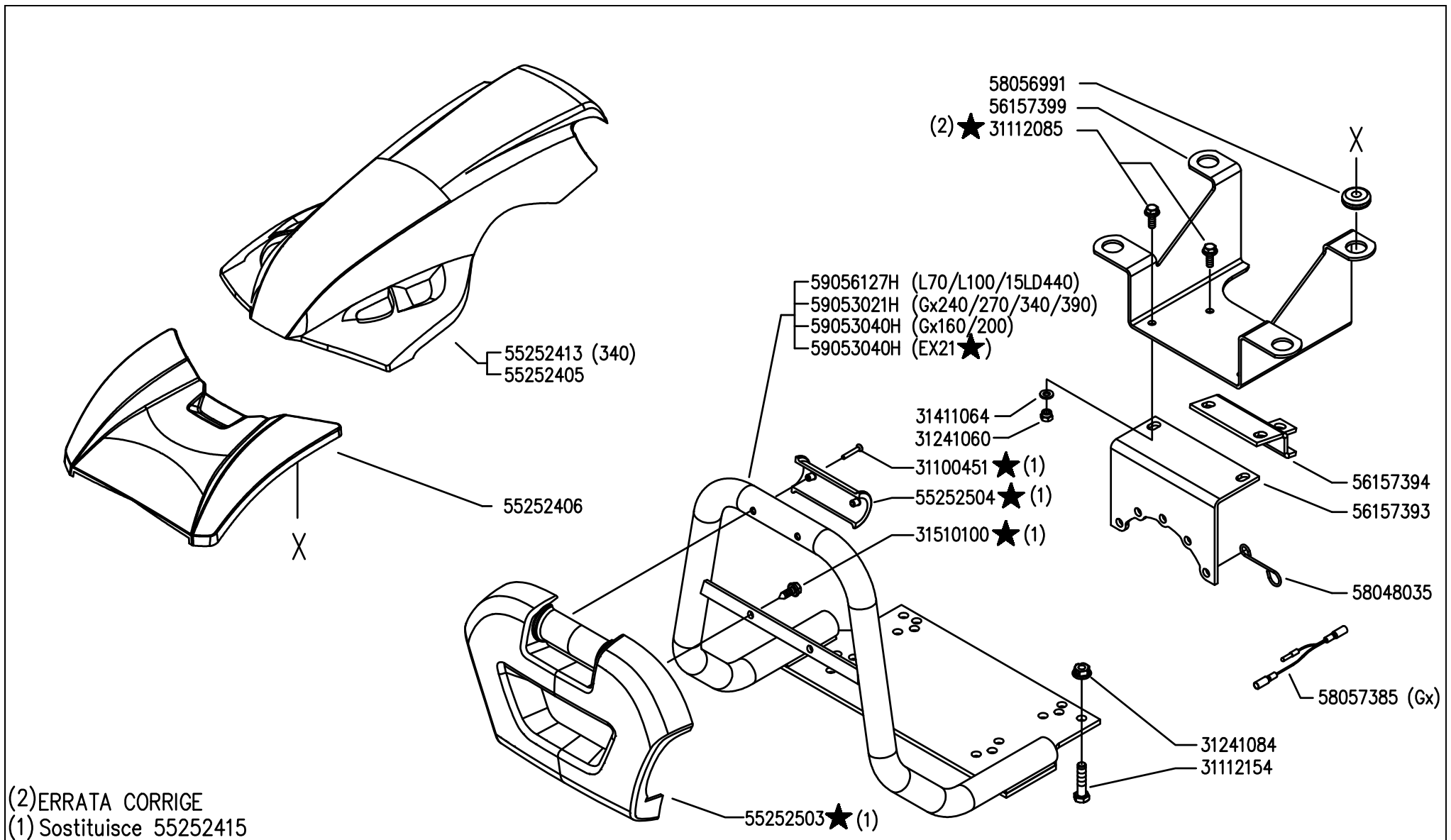
300 TRENDY

Pos.	Code	Q.ty	Description	Notes
31112154	31112154	1	SCREW TE M8X40 UNI 5739 8G	
31121558	31121558	1	SCREW TTQ M6X16 UNI 5731	
31241060	31241060	1	HEXAGON SELFLOCK NUT M6	
31241080	31241080	1	HEXAGON SELFLOCK NUT M8	
31411064	31411064	1	WASHER 6,4x12,5	
31411084	31411084	1	WASHER 8,4x17	
31510099	31510099	1	RIBBED SCREW 6,3X38 UNI 6950	
31510100	31510100	1	RIBBED SCREW 6,3X19 UNI 6950	
55252405	55252405	1	GUARD	
55252406	55252406	1	GUARD	
55252413	55252413	1	GUARD	
55252415	55252415	1	GUARD	
56157393	56157393	1	HOLDER	
56157399	56157399	1	HOLDER	
58048035	58048035	1	HOLDER	
58056991	58056991	1	CABLE GLAND	
58057385	58057385	1	LINE	
59053021	59053021	1	COMPLETE BUMPERS	
59053040	59053040	1	COMPLETE BUMPERS	
59053221	59053221	1	COMPLETE BUMPERS	



	300 TRENDY	PROTEZIONI MOTORE		DALLA MACCHINA DE LA MAQUINA DE LA MACHINA FROM THE MACHINE AB DER MASCHINE	AGGIORNAMENTO	C01	Rev. 2	
		ENGINE PROTECTIONS	PROTECTIONS MOTEUR		APLAZAMIENTO			
		PROTECCIONES MOTOR	MOTORSCHUTZ		MISE A JOUR			
		N.			REVISION			
					ANPASSUNG			
					06/2009			

Pos.	Code	Q.ty	Description	Notes
59053021	59053021H	1	BUMPER C.15LD-ACT-GX ALUM.	
59056127	59056127H	1	BUMPER FOR 740	
59053040	59053040H	1	ALU COMPLETE BUMPER GX160-200	
31112154	31112154	1	SCREW TE M8X40 UNI 5739 8G	
31121558	31121558	1	SCREW TTQ M6X16 UNI 5731	
31241060	31241060	1	HEXAGON SELFLOCK NUT M6	
31241084	31241084	1	SELFLOCK NUT M8 6S	
31411064	31411064	1	WASHER 6,4x12,5	
31510099	31510099	1	RIBBED SCREW 6,3X38 UNI 6950	
31510100	31510100	1	RIBBED SCREW 6,3X19 UNI 6950	
55252405	55252405	1	GUARD	
55252406	55252406	1	GUARD	
55252413	55252413	1	GUARD	
55252415	55252415	1	GUARD	
56157393	56157393	1	HOLDER	
56157399	56157399	1	HOLDER	
58048035	58048035	1	HOLDER	
58056991	58056991	1	CABLE GLAND	
58057385	58057385	1	LINE	



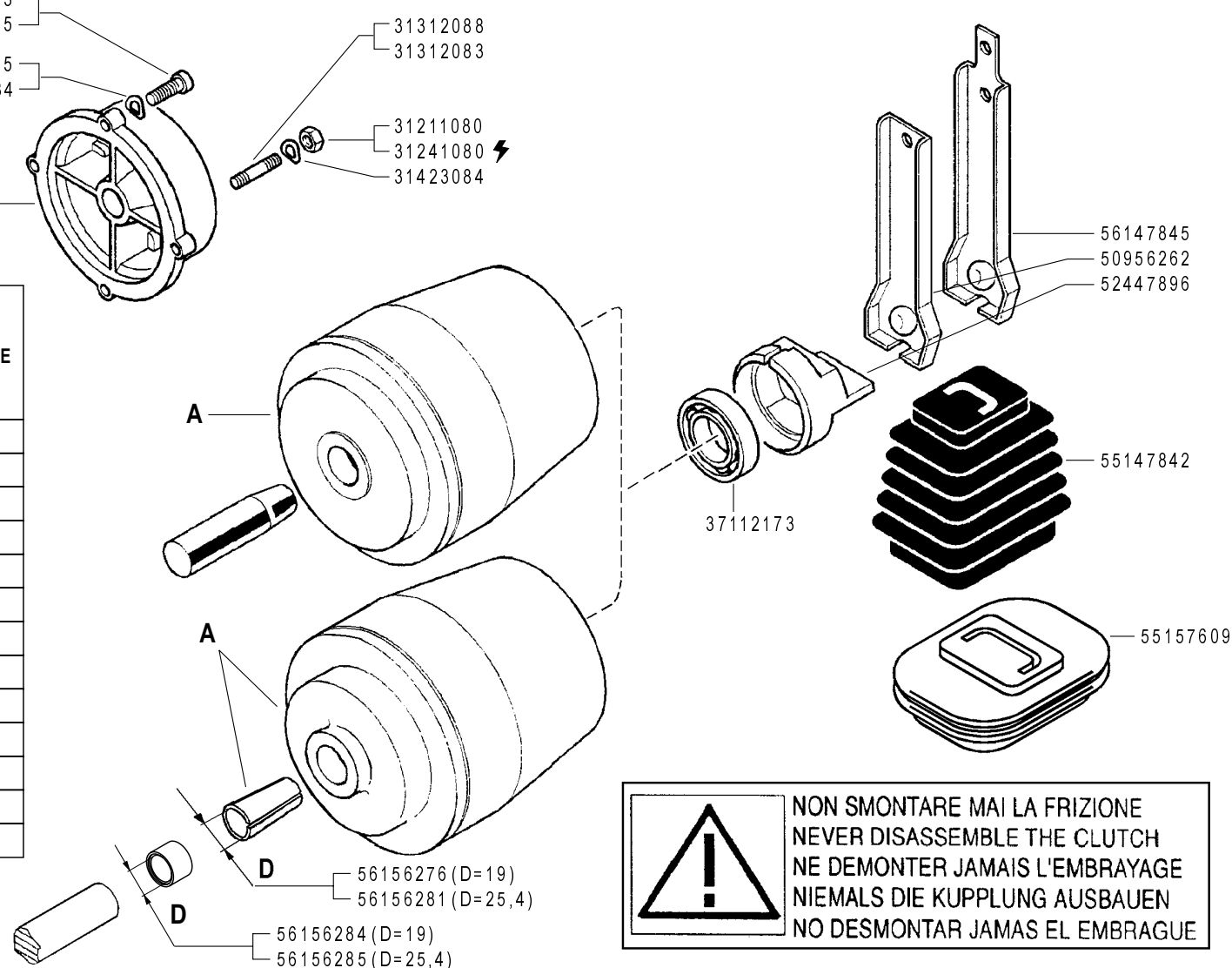
(2)ERRATA CORRIGE
(1) Sostituisce 55252415

	300 TRENDY	PROTEZIONI MOTORE		DALLA MACCHINA DE LA MAQUINA DE LA MACHINA FROM THE MACHINE AB DER MASCHINE	N. 857706	C01	Rev. 3
		ENGINE PROTECTIONS PROTECCIONES MOTOR	PROTECTIONS MOTEUR MOTORSCHUTZ			03/2011	

Pos.	Code	Q.ty	Description	Notes
31100451	31100451	1	SCREW 3,5X25	
31112085	31112085	1	SCREW TE M6X16 DIN 6921 8G	
31112154	31112154	1	SCREW TE M8X40 UNI 5739 8G	
31241060	31241060	1	HEXAGON SELFLOCK NUT M6	
31241084	31241084	1	SELFLOCK NUT M8 6S	
31411064	31411064	1	WASHER 6,4x12,5	
31510100	31510100	1	RIBBED SCREW 6,3X19 UNI 6950	
55252405	55252405	1	GUARD	
55252406	55252406	1	GUARD	
55252413	55252413	1	GUARD	
55252503	55252503	1	FREGIO ANT.MC 2010 FERRARI	
55252504	55252504	1	HALF BEARING	
56157393	56157393	1	HOLDER	
56157394	56157394	1	STOP	
56157399	56157399	1	HOLDER	
58048035	58048035	1	HOLDER	
58056991	58056991	1	CABLE GLAND	
58057385	58057385	1	LINE	
59053021	59053021H	1	BUMPER C.15LD-ACT-GX ALUM.	
59053040	59053040H	1	ALU COMPLETE BUMPER GX160-200	
59056127	59056127H	1	BUMPER FOR 740	

ROBIN EX 17 - HONDA Gx 120/160/200 31100003
 HONDA Gx 240/270/340/390 31100015
 HONDA Gx 240/270/340/390 31423105
 31423084

ROBIN EX 17 - HONDA Gx 120/160/200 53247488
 HONDA Gx 240/270/340/390 53156150



**! NON SMONTARE MAI LA FRIZIONE
 NEVER DISASSEMBLE THE CLUTCH
 NE DEMONTER JAMAIS L'EMBRAYAGE
 NIEMALS DIE KUPPLUNG AUSBAUEN
 NO DESMONTAR JAMAS EL EMBRAGUE**

MOTORE ENGINE MOTEUR MOTOR MOTOR	FRIZIONE CLUTCH A EMBRAYAGE EMBRAGUE KUPPLUNG
Acme A220	59247884
Acme A220 (REF.)	59256255
Acme ACT 280 - A349 - A360	59247884
Acme ACT 340	59247971
Honda Gx 390 - Gx 340 D=25,4	59256280
Honda Gx 240/270 D=25,4	59256279
Honda Gx 120/160/200 D=19	59256275
Lombardini 15LD315/350	59247884
Lombardini 15LD440 ★	59247971
Lombardini 15LD500	59247924
ROBIN EX 17 ★	59256275
Yanmar L100AE	59247971
Yanmar L70AE	59247884

FERRARI

300 TRENDY

FRIZIONE A CONO AUTOVENTILANTE

CLUTCH
EMBRAGUE

EMBRAYAGE
KUPPLUNG

DALLA MACCHINA
FROM THE MACHINE
DE LA MACHINE
DE LA MAQUINA
AB DER MASCHINE

★ N.

AGGIORNAMENTO
REVISION
MISE A JOUR
APLAZAMIENTO
ANPASSUNG

D01 2

10/2008

Rev.

ZENNE

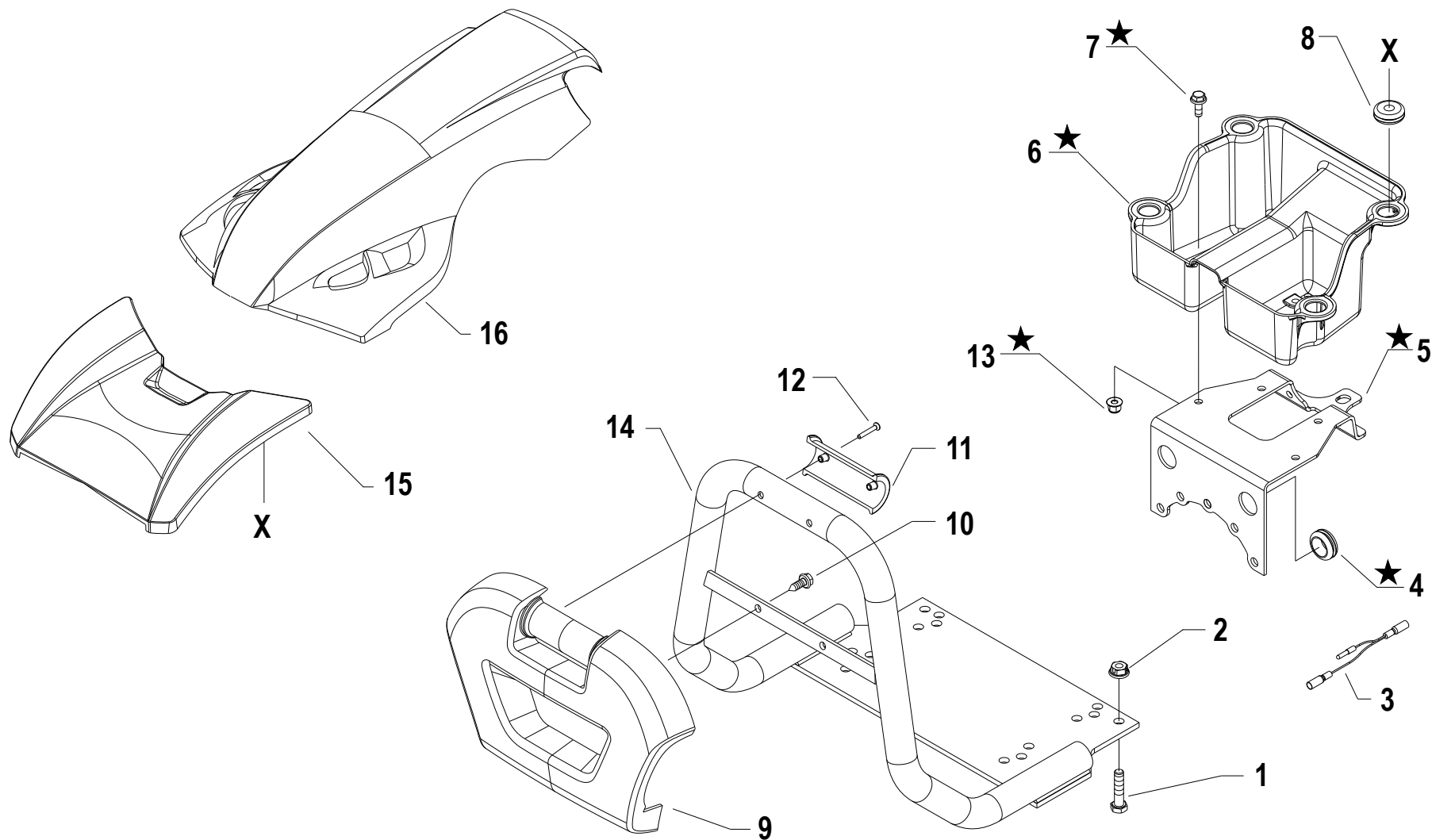
Pos.	Code	Q.ty	Description	Notes
31100003	31100003	1	SCREW TE 5/16X7/8	
31100015	31100015	1	SCREW TE 3/8X1	
31211080	31211080	1	NUT M8	
31241080	31241080	1	HEXAGON SELFLOCK NUT M8	
31312083	31312083	1	STUD BOLT M8X46X16X16	
31312088	31312088	1	STUD BOLT M8X40X14X14	
31423084	31423084	1	SPRING WASHER 8,4	
31423105	31423105	1	SPRING WASHER 10,5	
37112173	37112173	1	BEARING	
50956262	50956262	1	CLUTCH LEVER	
52447896	52447896	1	PRESSURE PLATE	
53156150	53156150	1	ENGINE FLANGE	
53247488	53247488	1	ENGINE FLANGE	
55147842	55147842	1	BELLOWS	
55157609	55157609	1	BELLOWS	
56147845	56147845	1	CLUTCH LEVER	
56156276	56156276	1	SLEEVE	
56156281	56156281	1	CENTRING BUSH	
56156284	56156284	1	SPACER	
56156285	56156285	1	SPACER	
59247884	59247884	1	CLUTCH ASSY	
59247924	59247924	1	CLUTCH	
59247971	59247971	1	CLUTCH	
59256255	59256255	1	CLUTCH ASSY	
59256275	59256275	1	CLUTCH ASSY	
59256279	59256279	1	CLUTCH ASSY	
59256280	59256280	1	CLUTCH ASSY	

SERIAL

CLUTCH

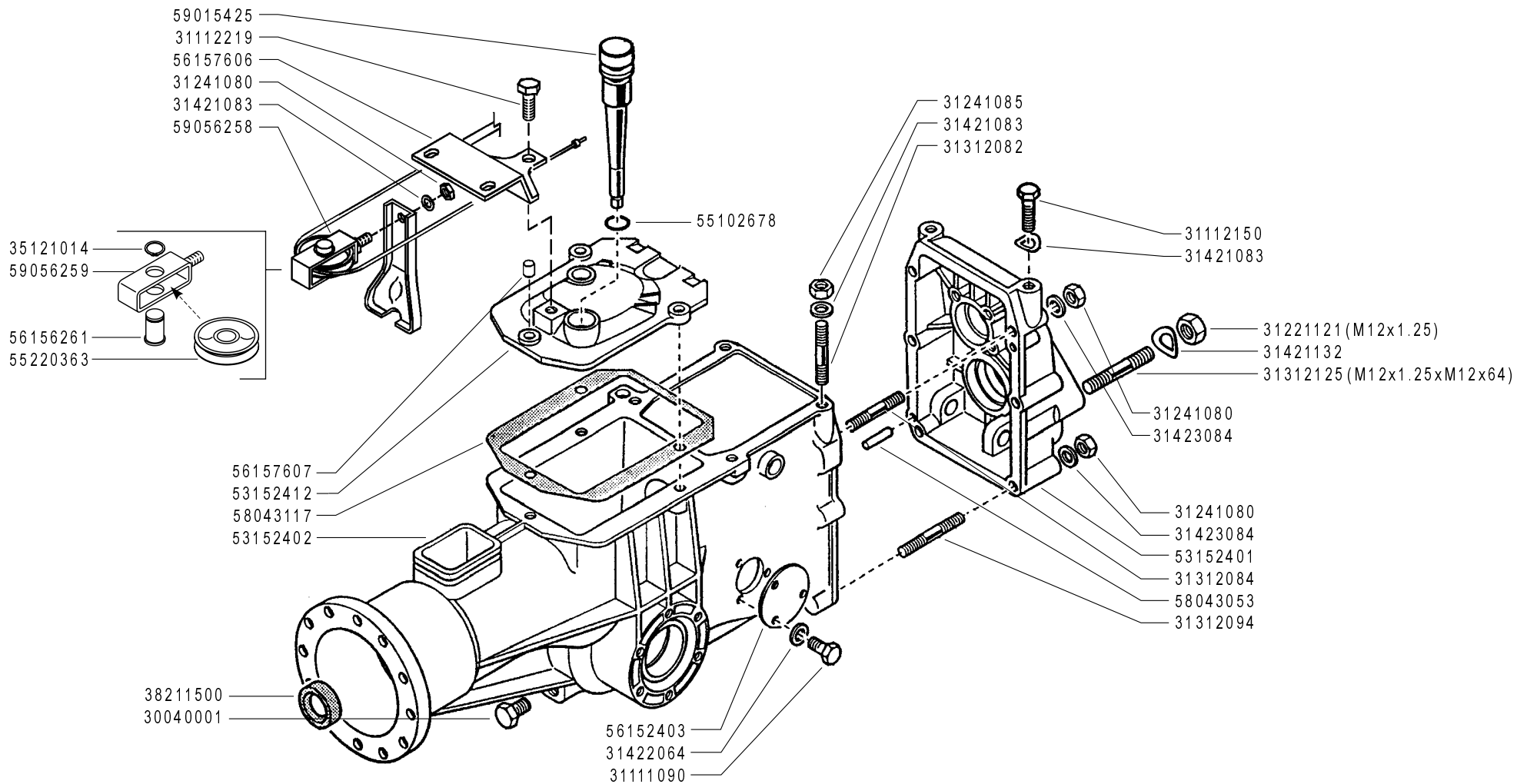
CODE REV

D01_2_60564



i = info - stop 2 sec. ★ = new part

Pos.	Code	Q.ty	Description	Notes
1	31112154		SCREW TE M8X40 UNI 5739 8G	
2	31241084		SELFLOCK NUT M8 6S	
3	58057385		LINE	
4	581C1004		CABLE GLAND	
5	561C1002		HOLDER	REPLACES 56157393
6	552C1001		COFANETTO SOST.CARENATURA	REPLACES 56157399
7	31112081		SCREW TE C/F M6X20 DIN 6921 8G	
8	58056991		CABLE GLAND	
9	55252503		FREGIO ANT.MC 2010 FERRARI	
10	31510100		RIBBED SCREW 6,3X19 UNI 6950	
11	55252504		HALF BEARING	
12	31100451		SCREW 3,5X25	
13	31241066		SELFLOCK M6 FL NY DIN 6926	REPLACES 31241060 + 31411064
14	59053021H		BUMPER C.15LD-ACT-GX ALUM.	GX240/GX270/GX340/GX390
14	59053040H		ALU COMPLETE BUMPER GX160-200	
14	59056127H		BUMPER FOR 740	L70/L100 - 15KD440
15	55252406		GUARD	
16	55252413		GUARD	340
16	55252405		GUARD	



FERRARI

300 TRENDY

SCATOLA CAMBIO (340)

GEARBOX
CAJA DE CAMBIO

BOITE DE VITESSES
WECHSELGETRIEBE

DALLA MACCHINA
DE LA MAQUINA
DE LA MACHINE
FROM THE MACHINE
AB DER MASCHINE

N.

E02 0

10/2008

Rev.

ZENNE

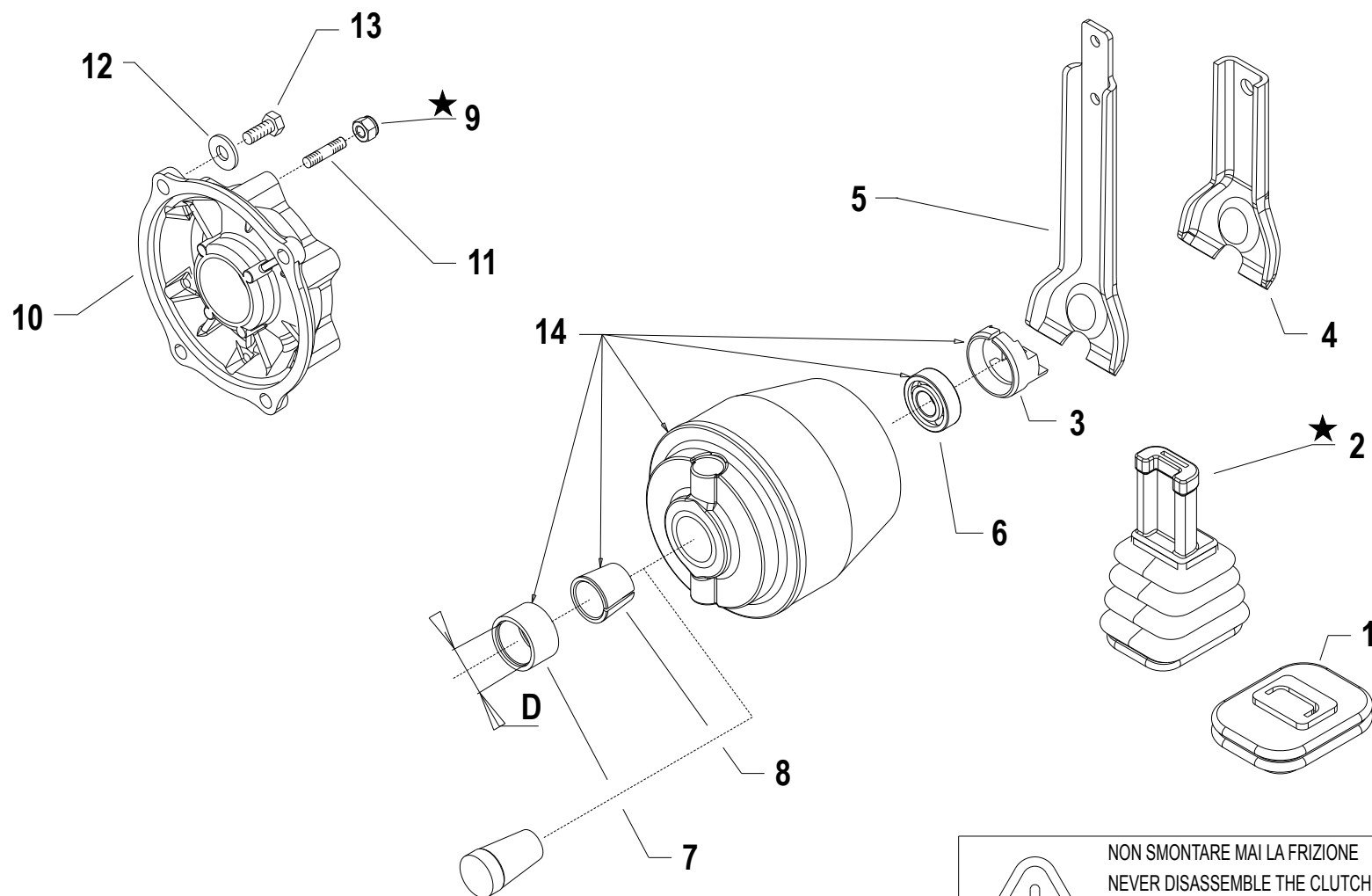
Pos.	Code	Q.ty	Description	Notes
30040001	30040001	1	PLUG	
31111090	31111090	1	SCREW TE M5X10 UNI 5739 8G	
31112150	31112150	1	SCREW TE M8X20 UNI 5739 8G	
31112219	31112219	1	SCREW TE M10X25 UNI 5739	
31221121	31221121	1	NUT M12X1,25	
31241080	31241080	1	HEXAGON SELFLOCK NUT M8	
31241085	31241085	1	SELFLOCK NUT M8 6S	
31312082	31312082	1	STUD BOLT M8X38X14X20	
31312084	31312084	1	STUD BOLT M8X58X16X16	
31312094	31312094	1	STUD BOLT M8X68X14X36	
31312125	31312125	1	STUD BOLT	
31421083	31421083	1	WASHER	
31421132	31421132	1	WASHER 13X24X2,8	
31422064	31422064	1	SPRING WASHER 6,4	
31423084	31423084	1	SPRING WASHER 8,4	
35121014	35121014	1	SEEGER RING	
38211500	38211500	1	OIL SEAL 15X28X7	
53152401	53152401	1	REAR COVER	
53152402	53152402	1	BODY	
53152412	53152412	1	COVER	
55102678	55102678	1	RUBBER RING	
55220363	55220363	1	PULLEY	
56152403	56152403	1	COVER	
56156261	56156261	1	PIN	
56157606	56157606	1	STOP	
56157607	56157607	1	SPACER	
58043053	58043053	1	CYLINDRICAL PLUG	
58043117	58043117	1	COVER GASKET	
59015425	59015425	1	PLUG	
59056258	59056258	1	CLUTCH FORK	
59056259	59056259	1	CLUTCH FORK	


SERIAL

GEARBOX (340)

CODE REV

E02_0_60592



 NON SMONTARE MAI LA FRIZIONE
NEVER DISASSEMBLE THE CLUTCH
NE DEMONTER JAMAIS L'EMBRAYAGE
NIEMALS DIE KUPPLUNG AUSBAUEN
NO DESMONTAR JAMAS EL EMBRAGUE



i = info - stop 2 sec. ★ = new part

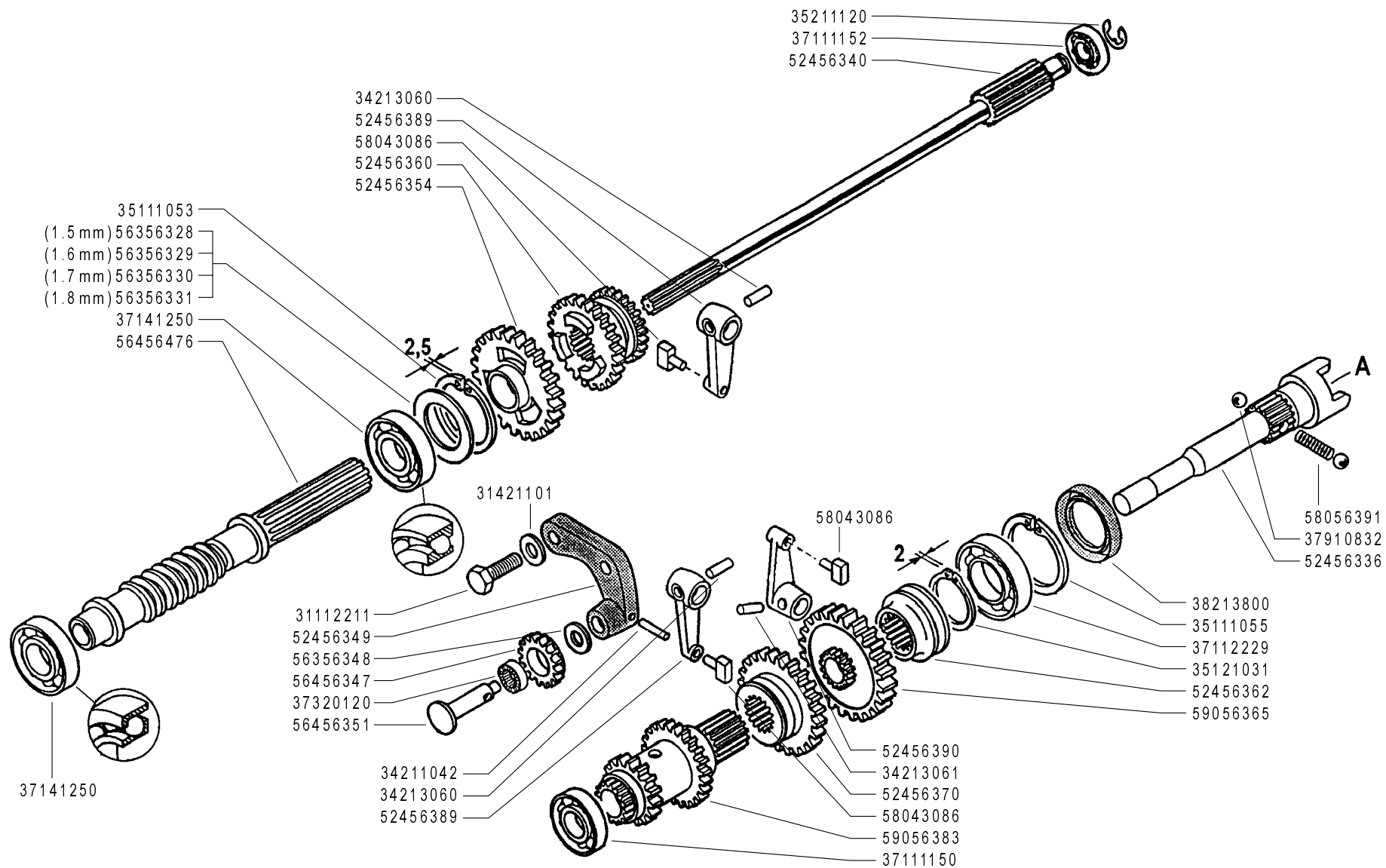
Pos.	Code	Q.ty	Description	Notes
1	55157609		BELLOWS	
2	55156481		BELLOWS	REPLACES 55147842
3	52447896		PRESSURE PLATE	
4	50956262		CLUTCH LEVER	
5	56147845		CLUTCH LEVER	
6	37112173		BEARING	
7	56156284		SPACER	
7	56156285		SPACER	
8	56156276		SLEEVE	
8	56156281		CENTRING BUSH	
9	31241080		HEXAGON SELFLOCK NUT M8	
9	31241083		SELFLOCK NUT M8	REPLACES 31211080 + 31423084
10	53156150		ENGINE FLANGE	GX240/GX270/GX340/GX390
10	53247488		ENGINE FLANGE	GX120/GX160/GX200 - EX17
11	31312083		STUD BOLT M8X46X16X16	
12	31423084		SPRING WASHER 8,4	
12	31423105		SPRING WASHER 10,5	GX240/GX270/GX340/GX390
13	31100003		SCREW TE 5/16X7/8	GX120/GX160/GX200
13	31100015		SCREW TE 3/8X1	GX240/GX270/GX340/GX390 - EX17
14	59247489		CONIC CLUTCH D=23 1 CPL SPRING	REPLACES 59247884 - 15LD315/15LD350 - L70AE - A220 -
14	59247513		CONIC CLUTCH D=24 2 SPRINGS	REPLACES 59247924 - 15LD500
14	59247823		CONIC CLUTCH D=23,2 2 SPRINGS	REPLACES 59247971 - L100AE - ACT340 - 15KD440
14	59256255		CLUTCH ASSY	A220 (REF.)
14	592C1010		CLUTCH D.19 Q(UP TO 9HP)	REPLACES 59256275 - GX120/GX160/GX200
14	592C1011		COMPLETE CLUTCH D=25,4 9HP	REPLACES 59256279 - GX240/GX270
14	592C1012		CONIC CLUTCH D=25,4 UP 9HP	REPLACES 59256280 - GX340/GX390

SERIAL
START
959257

CLUTCH

CODE REV

D.01.02.A0027_03



FERRARI

300 TRENDY

INGRANAGGI CAMBIO (340)

GEARS
ENGRANAJES

ENGRANAGES
ZÄHRÄDER

DALLA MACCHINA
DE LA MAQUINA
FROM THE MACHINE
AB DER MASCHINE

N.

F03 0

10/2008

Rev.

ZENNE

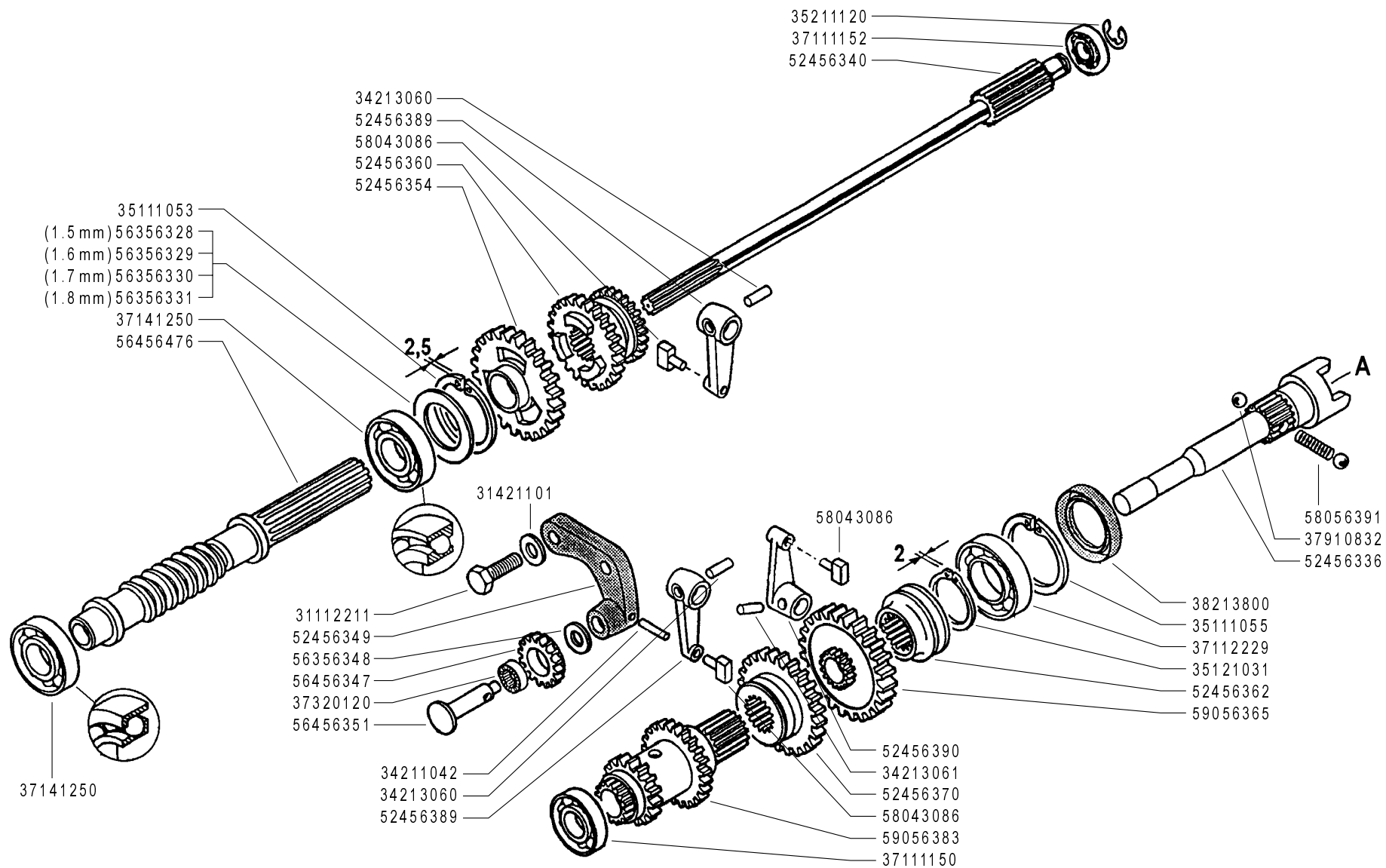
Pos.	Code	Q.ty	Description	Notes
00	35211120	1	SEEGER RING	
31112211	31112211	1	SCREW TE M10X30 UNI 5739	
31421101	31421101	1	WASHER	
34211042	34211042	1	ROLL PIN	
34213060	34213060	1	ROLL PIN	
34213061	34213061	1	ROLL PIN	
35111053	35111053	1	SEEGER RING I 52 UNI 7438	
35111055	35111055	1	SEEGER RING	
35121031	35121031	1	SEEGER RING	
37111150	37111150	1	BEARING	
37111152	37111152	1	BEARING	
37112229	37112229	1	BEARING	
37141250	37141250	1	BEARING	
37320120	37320120	1	ROLLER CAGE 12X15/10	
37910832	37910832	1	BALL 1/4	
38213800	38213800	1	OIL SEAL 38X55X7	
52456336	52456336	1	PTO SHAFT	
52456340	52456340	1	SHAFT	
52456349	52456349	1	GEAR SUPPORT	
52456354	52456354	1	GEAR	
52456360	52456360	1	SLIDER	
52456362	52456362	1	COUPLING	
52456370	52456370	1	SLIDER	
52456389	52456389	1	LEVER	
52456390	52456390	1	LEVER	
56356328	56356328	1	ADJUSTING RING SP=1,5	
56356329	56356329	1	ADJUSTING RING SP=1,6	
56356330	56356330	1	ADJUSTING RING SP=1,7	
56356331	56356331	1	ADJUSTING RING SP=1,8	
56356348	56356348	1	ADJUSTING RING	
56456347	56456347	1	GEAR	
56456351	56456351	1	GEAR PIN	
56456476	56456476	1	SCREW	
58043086	58043086	1	SHOE	

SERIAL

GEARS (340)

CODE REV

F03_0_60629



FERRARI

300 TRENDY

INGRANAGGI CAMBIO (340)

GEARS
ENGRANAJES

ENGRANAGES
ZÄHRÄDER

DALLA MACCHINA
DE LA MAQUINA
FROM THE MACHINE
AB DER MASCHINE

N.

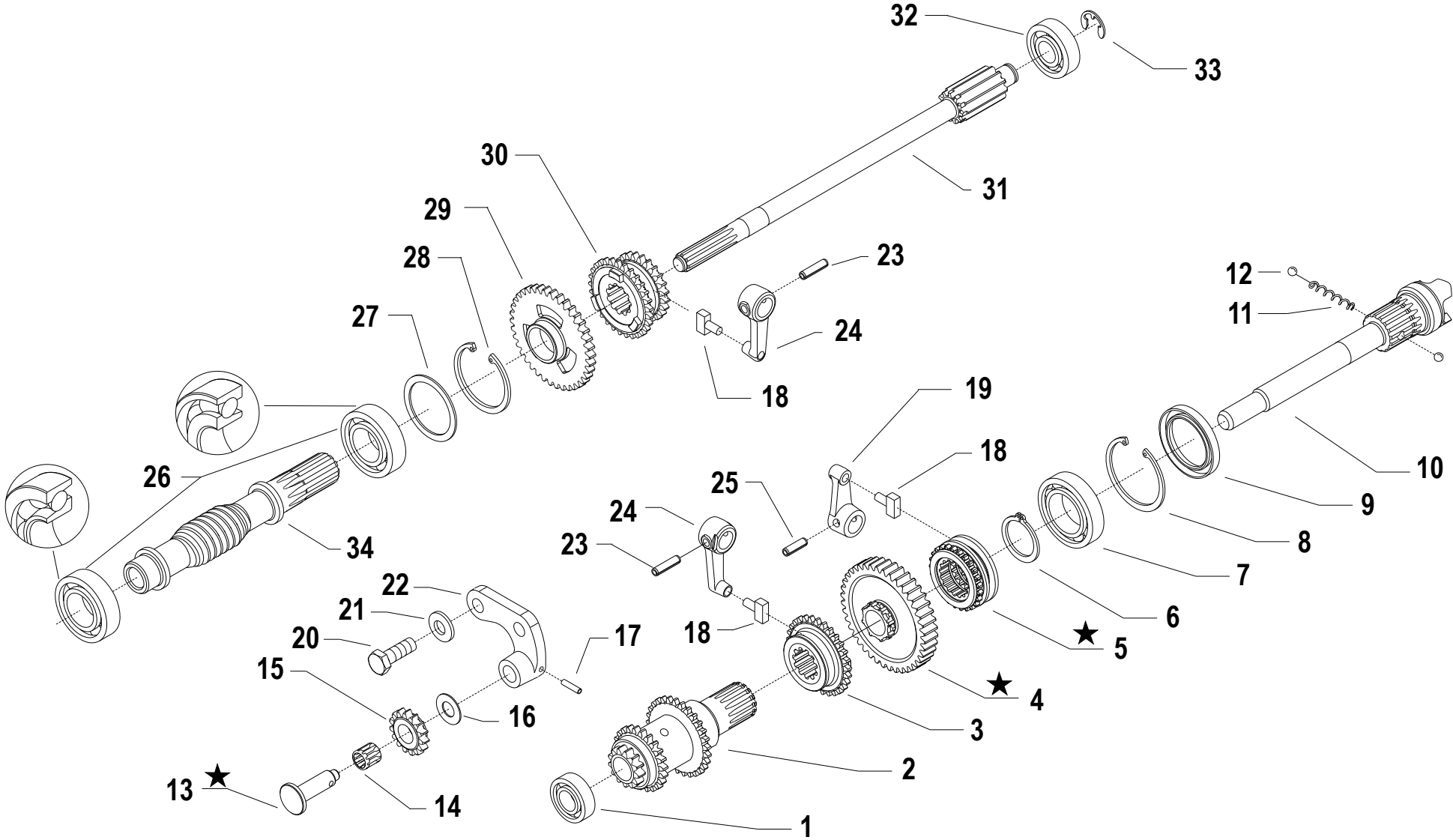
F03

Rev. **0**

10/2008

ZENNE

Pos.	Code	Q.ty	Description	Notes
58056391	58056391	1	SPRING	
59056365	59056365	1	PTO GEAR	
59056383	59056383	1	TRIPLE GEAR	



i = info - stop 2 sec. ★ = new part

Pos.	Code	Q.ty	Description	Notes
1	37111150		BEARING	
2	59056383		TRIPLE GEAR	
3	52456370		SLIDER	
4	59056707		PTO GEAR	Replaces 59056365 + 52456362
5	52456706		PTO COUPLING	Replaces 59056365 + 52456362
6	35121031		SEEGER RING	
7	37112229		BEARING	
8	35111055		SEEGER RING	
9	38213800		OIL SEAL 38X55X7	
10	52456336		PTO SHAFT	
11	58056391		SPRING	
12	37910832		BALL 1/4	
13	56456736		GEAR PIN	Replaces 56456351
14	37320120		ROLLER CAGE 12X15/10	
15	56456347		GEAR	
16	56356348		ADJUSTING RING	
17	34211042		ROLL PIN	
18	58043086		SHOE	
19	52456390		LEVER	
20	31112211		SCREW TE M10X30 UNI 5739	
21	31421101		WASHER	
22	52456349		GEAR SUPPORT	
24	34213060		ROLL PIN	
25	34213061		ROLL PIN	
26	37141250		BEARING	
27	56356328		ADJUSTING RING SP=1,5	
27	56356329		ADJUSTING RING SP=1,6	
27	56356330		ADJUSTING RING SP=1,7	
27	56356331		ADJUSTING RING SP=1,8	
28	35111053		SEEGER RING I 52 UNI 7438	
29	52456354		GEAR	
30	52456360		SLIDER	
31	52456340		SHAFT	
32	37111152		BEARING	

SERIAL
START
863327

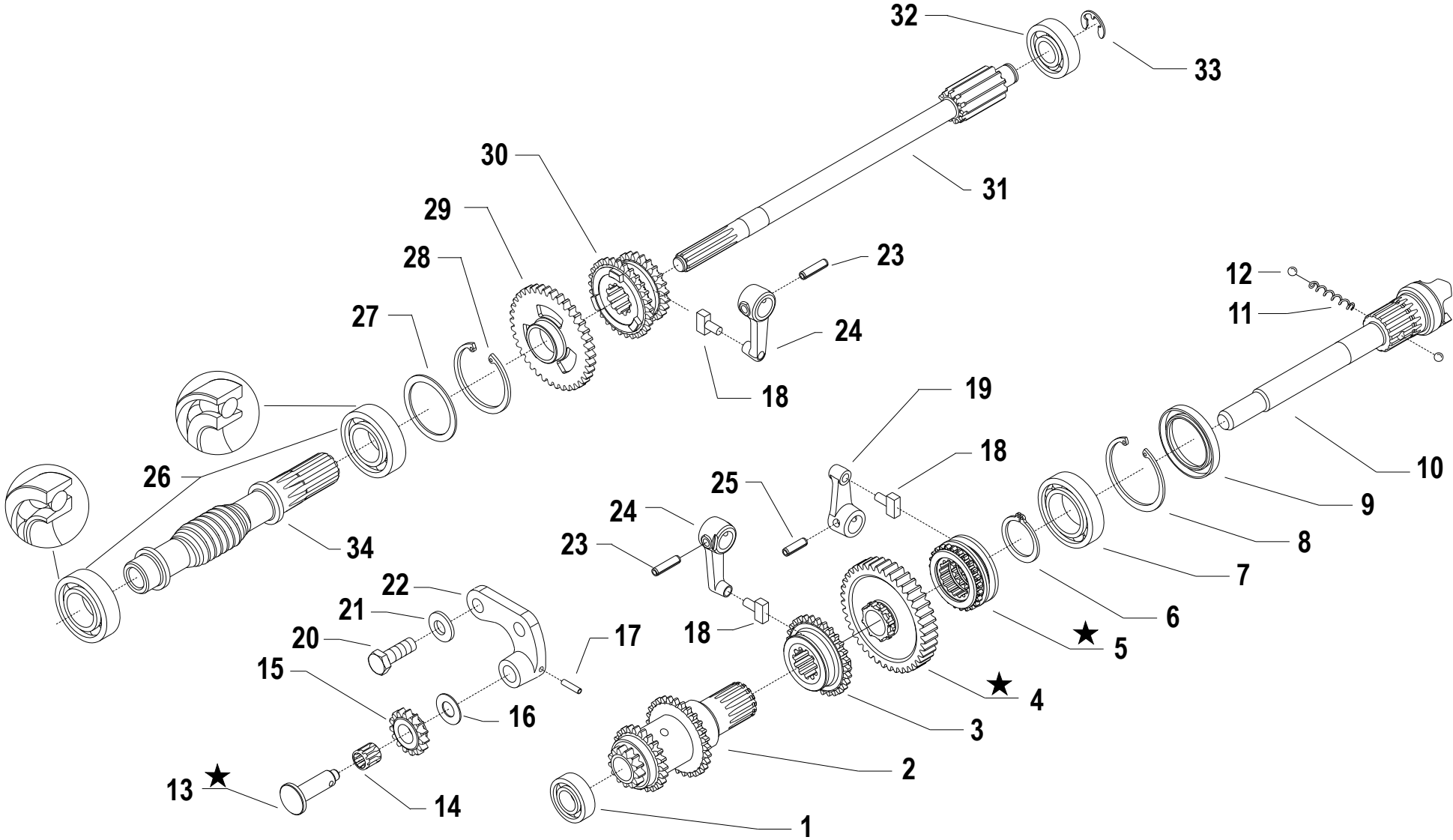
GEARS (340)

CODE REV

F.03.02.A0027_01

GEARS (340)

SERIAL START 863327



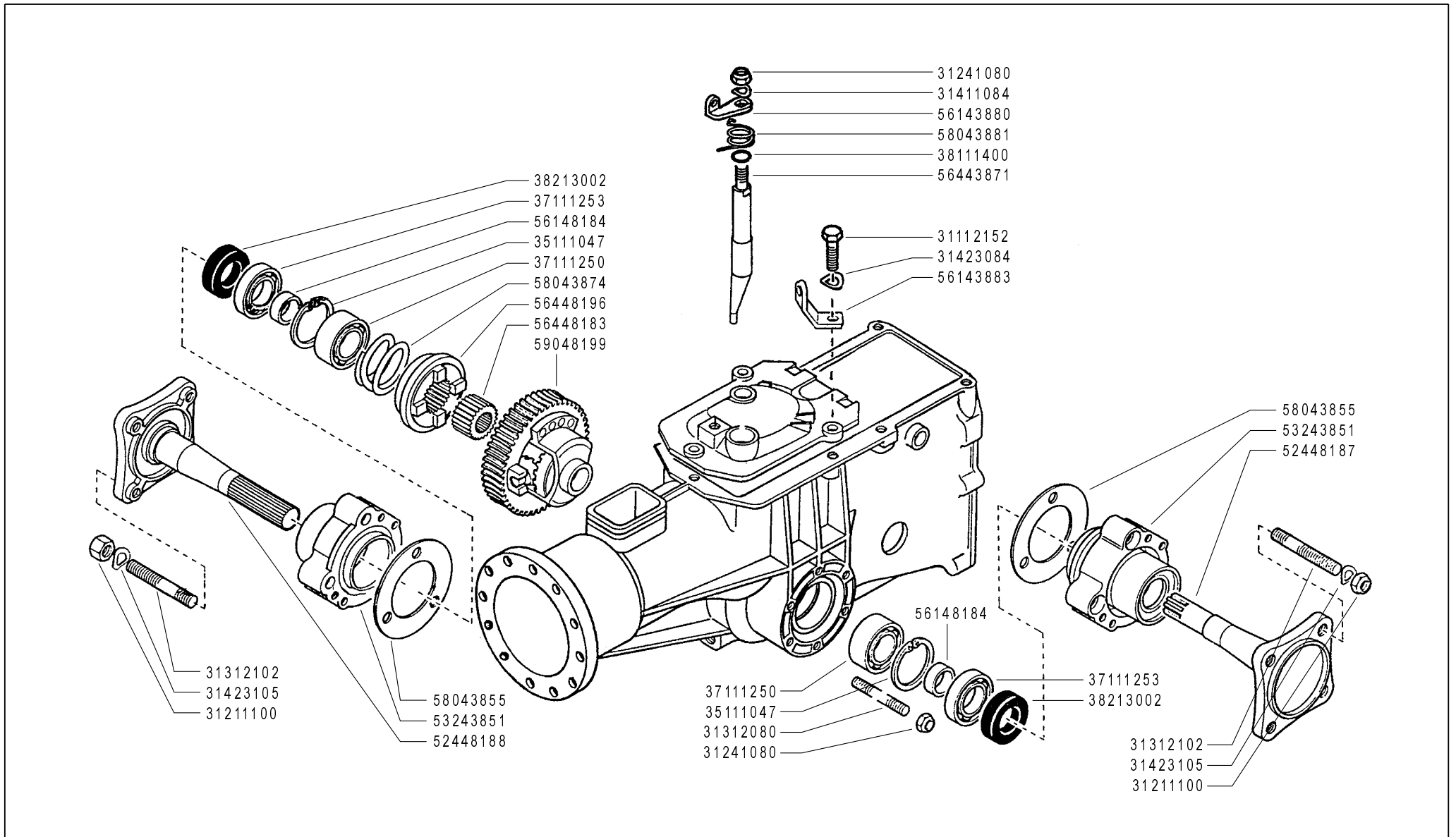
i = info - stop 2 sec. ★ = new part

Pos.	Code	Q.ty	Description	Notes
33	35211120		SEEGER RING	
34	56456476		SCREW	

SERIAL
START
863327

GEARS (340)

CODE REV
F.03.02.A0027_01



FERRARI

300 TRENDY

DIFFERENZIALE (340)

DIFFERENTIAL
DIFFERENCIAL

DIFFERENTIEL
DIFFERENTIAL

DALLA MACCHINA
FROM THE MACHINE
DE LA MACHINE
DE LA MAQUINA
AB DER MASCHINE

N.

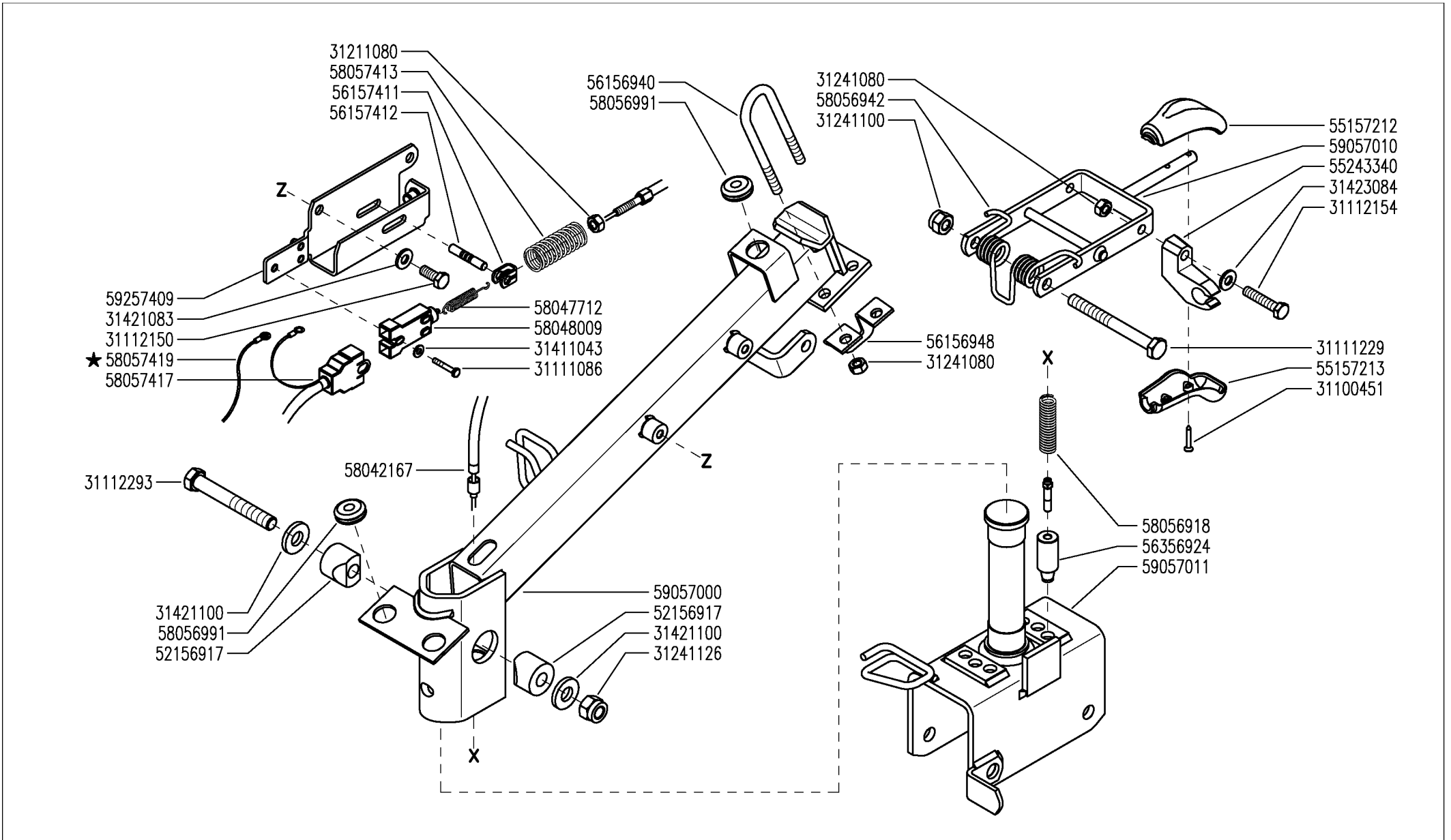
G03 0

10/2008

Rev.

ZENNE

Pos.	Code	Q.ty	Description	Notes
31112152	31112152	1	SCREW TE M8X30 UNI 5739 8G	
31211100	31211100	1	NUT M10	
31241080	31241080	1	HEXAGON SELFLOCK NUT M8	
31312080	31312080	1	STUD BOLT M8X46X20X12	
31312102	31312102	1	STUD BOLT M10X40X24X12	
31411084	31411084	1	WASHER 8,4x17	
31423084	31423084	1	SPRING WASHER 8,4	
31423105	31423105	1	SPRING WASHER 10,5	
35111047	35111047	1	SEEGER RING	
37111250	37111250	1	BEARING	
37111253	37111253	1	BEARING	
38111400	38111400	1	O-RING	
38213002	38213002	1	OIL SEAL 30X40X7	
52448187	52448187	1	AXLE SHAFT	
52448188	52448188	1	AXLE SHAFT	
53243851	53243851	1	HUB	
56143880	56143880	1	SMALL LEVER	
56143883	56143883	1	STOP	
56148184	56148184	1	RING	
56443871	56443871	1	ROD	
56448183	56448183	1	SPACER	
56448196	56448196	1	COUPLING	
58043855	58043855	1	GASKET	
58043874	58043874	1	SPRING	
58043881	58043881	1	SPRING	
59048199	59048199	1	DIFFERENTIAL GEAR	



FERRARI

300 TRENDY

PIANTONE (340)

STEERING COLUMN
COLUMNNA

PLANTON
LENKSÄULE

DALLA MACCHINA
DE LA MAQUINA
DE LA MACHINE
FROM THE MACHINE
AB DER MASCHINE

N.

H03 0

10/2008

ZENNE

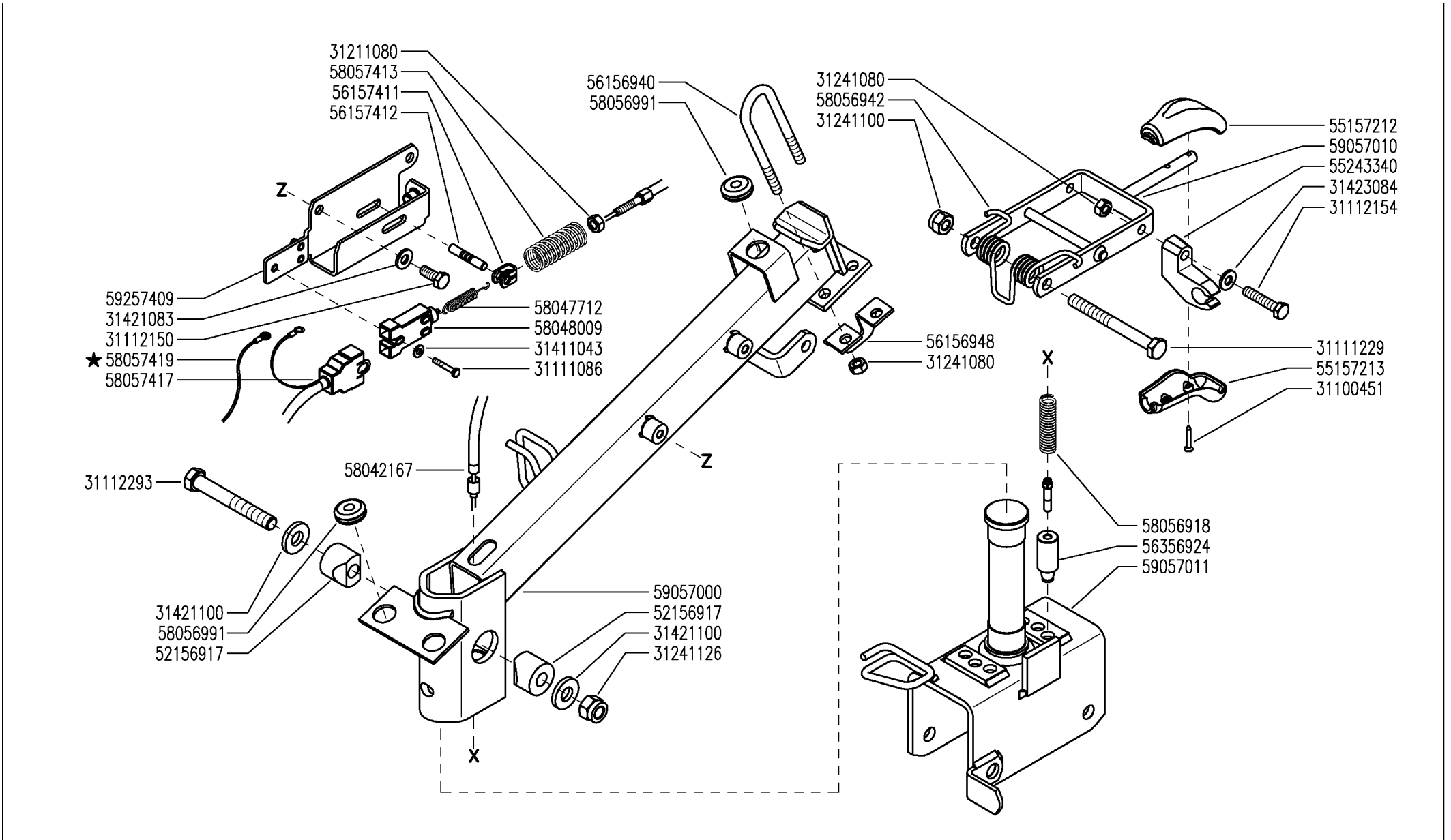
Pos.	Code	Q.ty	Description	Notes
31100451	31100451	1	SCREW 3,5X25	
31111086	31111086	1	SCREW TE M4X25 UNI 5739 8G	
31111229	31111229	1	SCREW TE M10X110 UNI 5737 8G	
31112150	31112150	1	SCREW TE M8X20 UNI 5739 8G	
31112154	31112154	1	SCREW TE M8X40 UNI 5739 8G	
31112293	31112293	1	SCREW TE M12X80 UNI 5737	
31211080	31211080	1	NUT M8	
31241080	31241080	1	HEXAGON SELFLOCK NUT M8	
31241100	31241100	1	SELFLOCK HEXAGON NUT M10	
31241126	31241126	1	SELFLOCK NUT M12	
31411043	31411043	1	WASHER 4,3X9	
31421083	31421083	1	WASHER	
31421100	31421100	1	CUP SPRING	
31423084	31423084	1	SPRING WASHER 8,4	
52156917	52156917	1	WEDGE	
55157212	55157212	1	GRIP	
55157213	55157213	1	GRIP	
55243340	55243340	1	SUPPORT	
56156940	56156940	1	U BOLT	
56156948	56156948	1	STOP	
56157411	56157411	1	FORK	
56157412	56157412	1	PIN	
56356924	56356924	1	FERRULE	
58042167	58042167	1	SHEATH TERMINAL	
58047712	58047712	1	SPRING	
58048009	58048009	1	SWITCH	
58056918	58056918	1	SPRING	
58056942	58056942	1	SPRING	
58056991	58056991	1	CABLE GLAND	
58057413	58057413	1	RETAINING SPRING	
58057417	58057417	1	WIRING	
58057419	58057419	1	WIRING	
59057000	59057000	1	COLUMN	
59057010	59057010	1	LEVER	

SERIAL

STEERING COLUMN (340)

CODE REV

H03_0_60737



FERRARI

300 TRENDY

PIANTONE (340)

STEERING COLUMN
COLUMNNA

PLANTON
LENKSÄULE

DALLA MACCHINA
DE LA MAQUINA
DE LA MACHINE
FROM THE MACHINE
AB DER MASCHINE

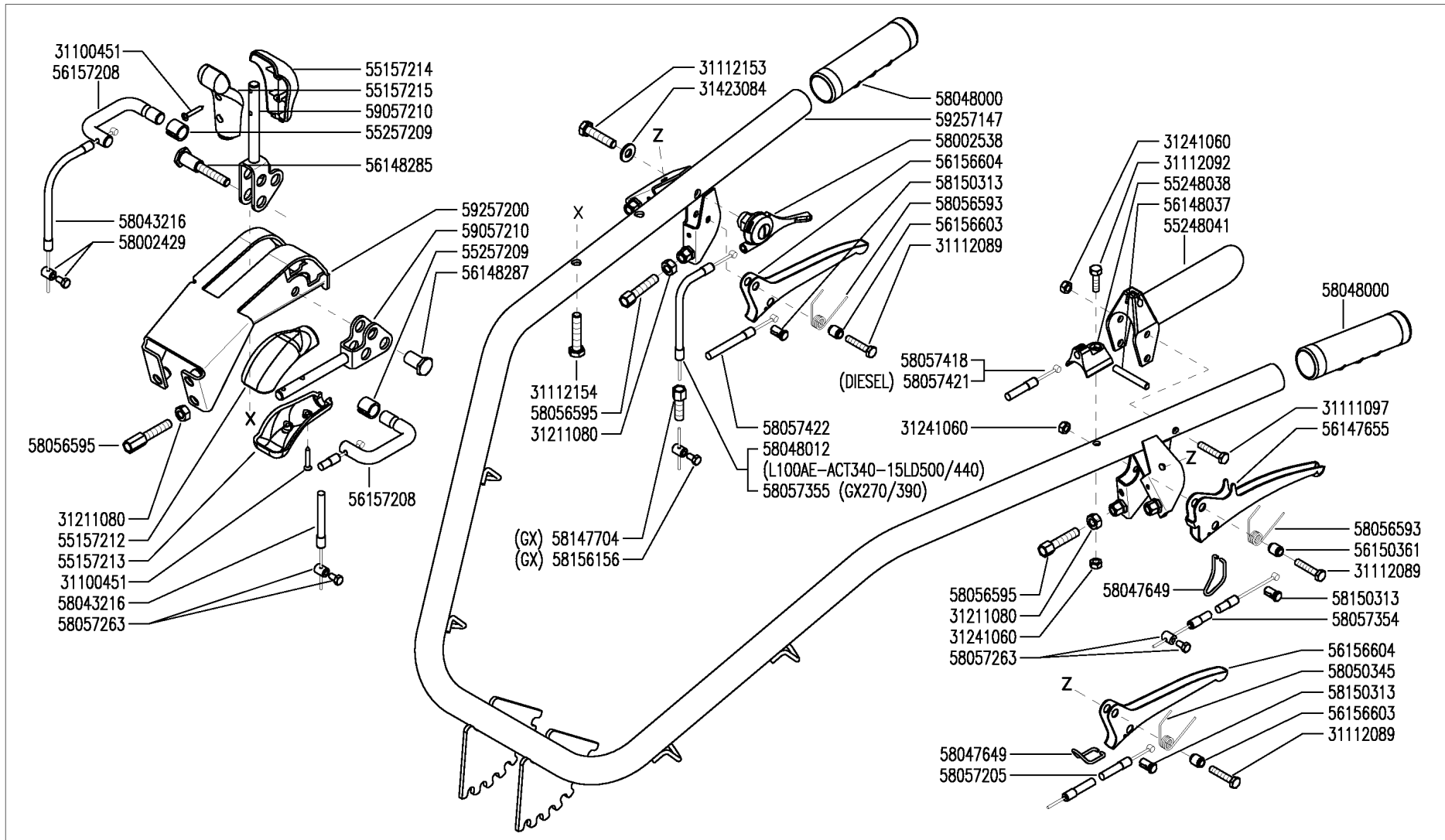
N.

Rev. **0**

H03

10/2008

Pos.	Code	Q.ty	Description	Notes
59057011	59057011	1	CONNECTION	
59257409	59257409	1	SUPPORT	



FERRARI

300 TRENDY

HANDLEBAR
MANILLAR

MANUBRIO (340)

MANCHERON
LENKER

DALLA MACCHINA
DE LA MAQUINA
DE LA MACHINE
FROM THE MACHINE
AB DER MASCHINE

N.

103

Rev.
0

10/2008

ZENIE

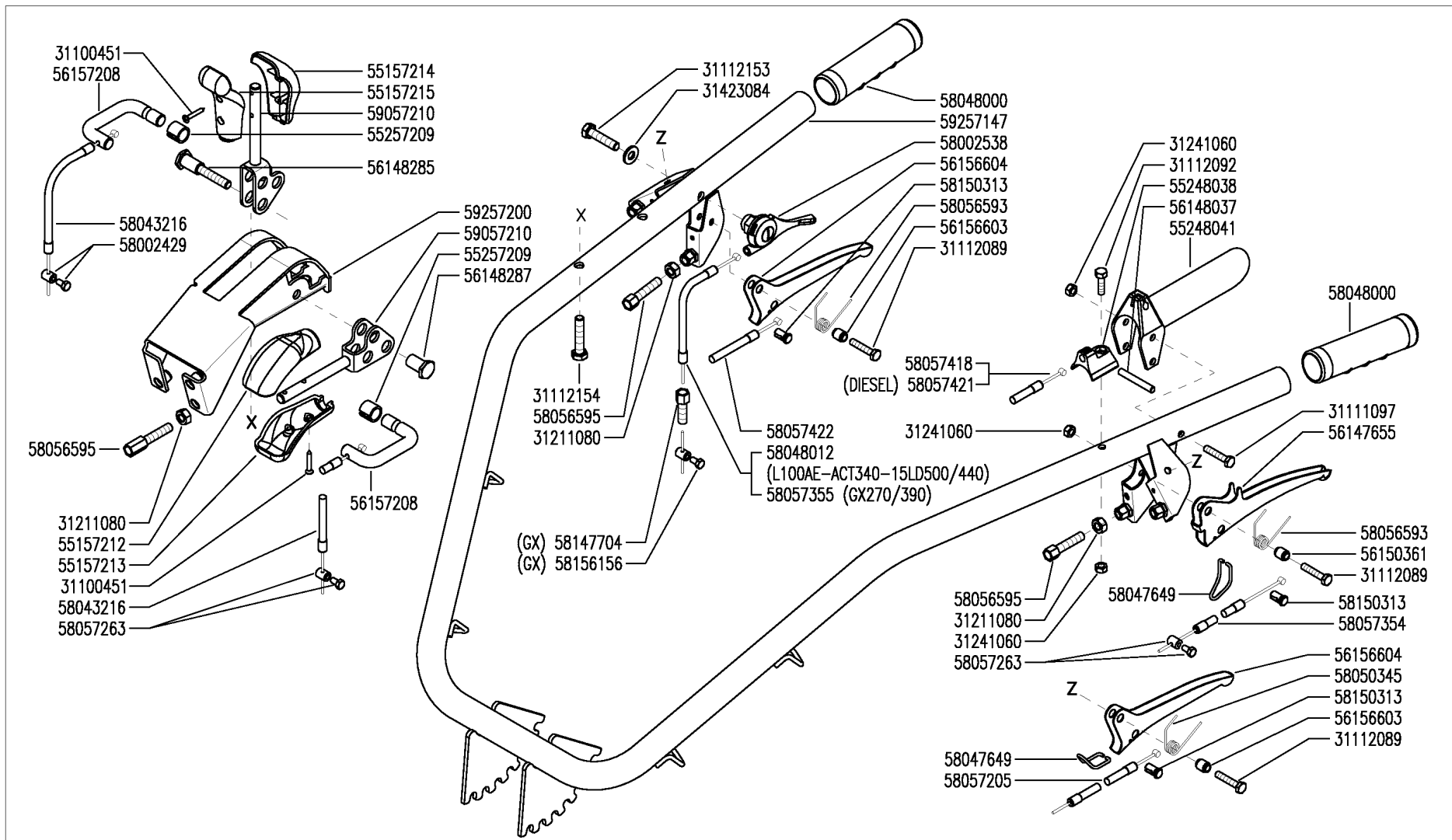
Pos.	Code	Q.ty	Description	Notes
31100451	31100451	1	SCREW 3,5X25	
31111097	31111097	1	SCREW TE M6X45 UNI 5737 8G	
31112089	31112089	1	SCREW TE M6X25 UNI 5739 8G	
31112092	31112092	1	SCREW TE M6X35 UNI 5739 8G	
31112153	31112153	1	SCREW TE M8X35 UNI 5739 8G	
31112154	31112154	1	SCREW TE M8X40 UNI 5739 8G	
31211080	31211080	1	NUT M8	
31241060	31241060	1	HEXAGON SELFLOCK NUT M6	
31423084	31423084	1	SPRING WASHER 8,4	
55157212	55157212	1	GRIP	
55157213	55157213	1	GRIP	
55157214	55157214	1	GRIP	
55157215	55157215	1	GRIP	
55248038	55248038	1	STOP	
55248041	55248041	1	LEVER	
55257209	55257209	1	BUSHING	
56147655	56147655	1	CLUTCH LEVER	
56148037	56148037	1	LEVER STOP	
56148285	56148285	1	PIN	
56148287	56148287	1	STUD BOLT	
56150361	56150361	1	SPACER	
56156603	56156603	1	SPACER	
56156604	56156604	1	CLUTCH LEVER	
56157208	56157208	1	U BOLT	
58002429	58002429	1	CLAMPING SCREW	
58002538	58002538	1	COMMAND LEVER	
58043216	58043216	1	LINE AND SHEATH	
58047649	58047649	1	CLEVIS	
58048000	58048000	1	KNOB	
58048012	58048012	1	LINE AND SHEATH	
58050345	58050345	1	SPRING	
58056593	58056593	1	SPRING	
58056595	58056595	1	ADJUSTING SCREW	
58057205	58057205	1	LINE AND SHEATH	

SERIAL

HANDLEBAR (340)

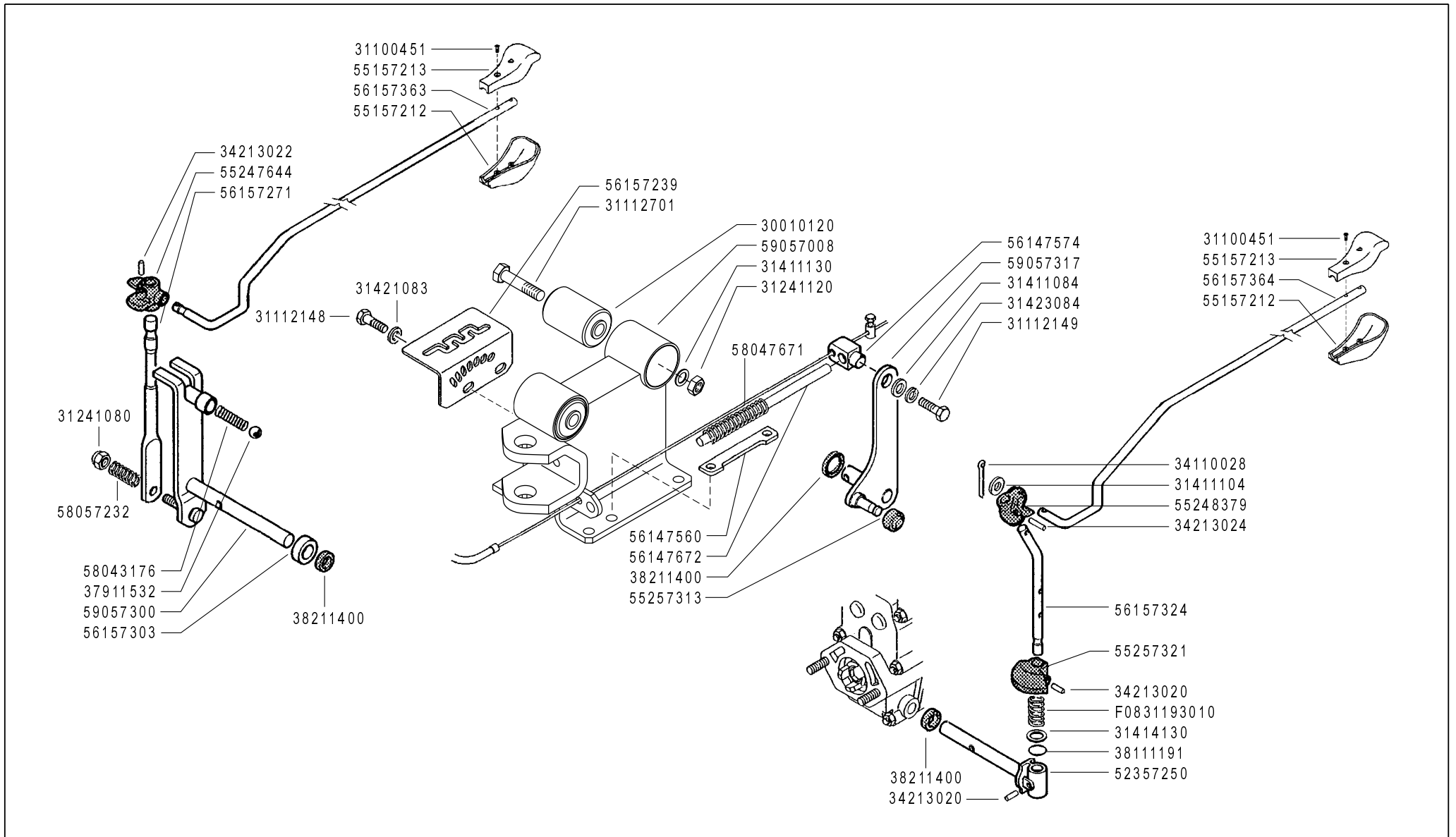
CODE REV

I03_0_60817



	<h1>300 TRENDY</h1>	<h2>MANUBRIO (340)</h2>		DALLA MACCHINA DE LA MAQUINA DE LA MACHINE FROM THE MACHINE AB DER MASCHINE	N.	Rev. 0
		HANDLEBAR MANILLAR	MANCHERON LENKER			

Pos.	Code	Q.ty	Description	Notes
58057263	58057263	1	CLAMPING SCREW	
58057354	58057354	1	LINE AND SHEATH	
58057355	58057355	1	LINE AND SHEATH	
58057418	58057418	1	LINE AND SHEATH	
58057421	58057421	1	LINE AND SHEATH	
58057422	58057422	1	COLUMN UNLOCKING TRANSMISSION	
58147704	58147704	1	ADJUSTING SCREW	
58150313	58150313	1	CABLE CLAMP	
58156156	58156156	1	TERMINAL	
59057210	59057210	1	COMMAND LEVER	
59257147	59257147	1	HANDLE BAR	
59257200	59257200	1	SUPPORT	



FERRARI

300 TRENDY

CONTROLS
MANDOS

COMANDI (340)

COMMANDES
ANTRIEBE

DALLA MACCHINA
DE LA MAQUINA
FROM THE MACHINE
AB DER MASCHINE

N.

J03 0

10/2008

Rev.

ZENNE

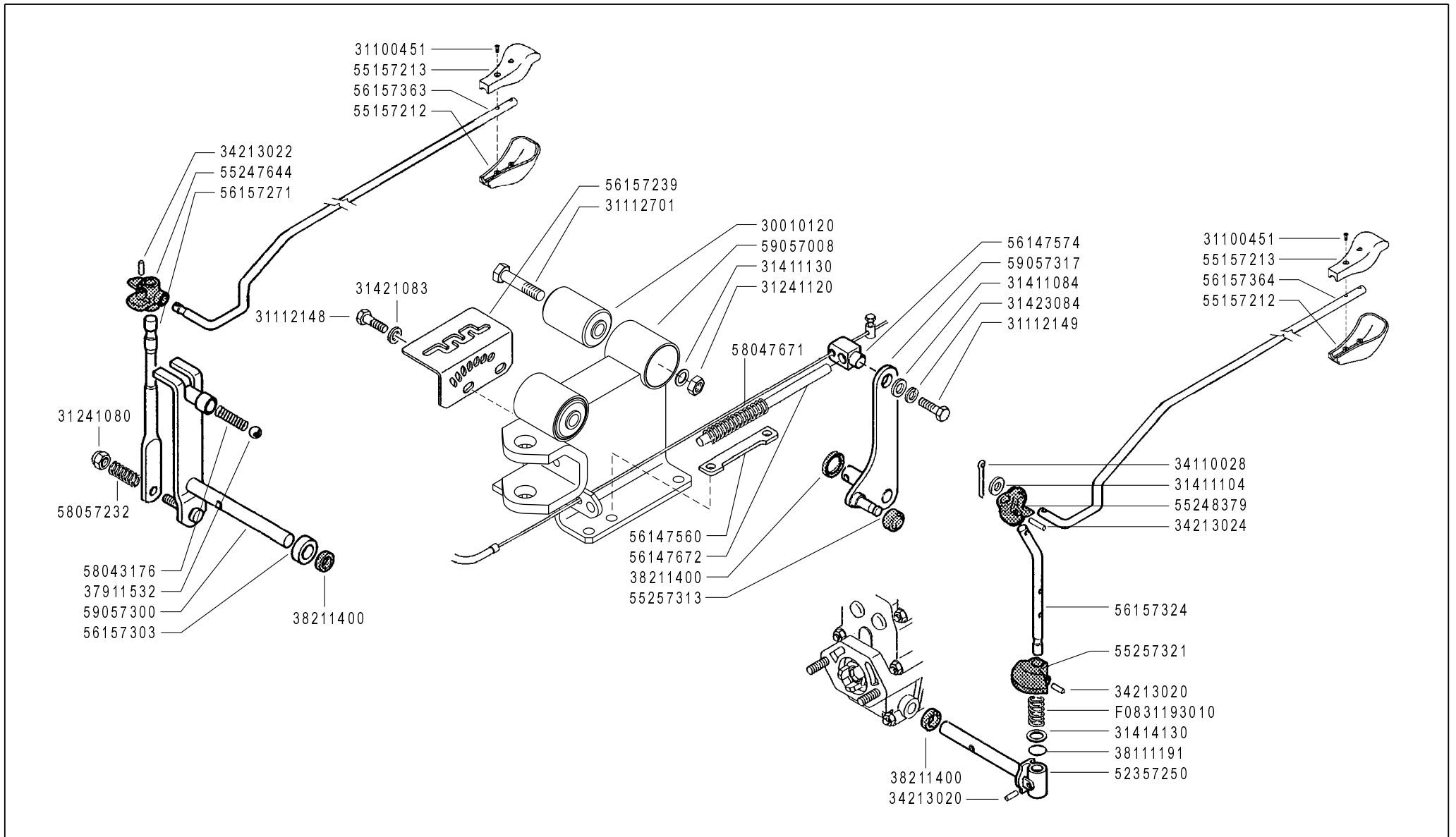
Pos.	Code	Q.ty	Description	Notes
30010120	30010120	1	SILENT-BLOCK 12X40X58X66	
31100451	31100451	1	SCREW 3,5X25	
31112148	31112148	1	SCREW TE M8X18 UNI 5739 8G	
31112149	31112149	1	SCREW TE M8X12 UNI 5739 8G	
31112701	31112701	1	SCREW TE M12X100 UNI 5737	
31241080	31241080	1	HEXAGON SELFLOCK NUT M8	
31241120	31241120	1	SELFLOCK NUT M12	
31411084	31411084	1	WASHER 8,4x17	
31411104	31411104	1	WASHER 10,5x18	
31411130	31411130	1	WASHER 13x24	
31414130	31414130	1	WASHER 13	
31421083	31421083	1	WASHER	
31423084	31423084	1	SPRING WASHER 8,4	
34110028	34110028	1	SPLIT PIN	
34213020	34213020	1	ROLL PIN	
34213022	34213022	1	ROLL PIN	
34213024	34213024	1	ROLL PIN	
37911532	37911532	1	BALL 15/32	
38111191	38111191	1	O-RING	
38211400	38211400	1	OIL SEAL 14X22X4	
52357250	52357250	1	PIN	
55157212	55157212	1	GRIP	
55157213	55157213	1	GRIP	
55247644	55247644	1	JOINT	
55248379	55248379	1	JOINT	
55257313	55257313	1	ROLLER	
55257321	55257321	1	STOP	
56147560	56147560	1	STOP	
56147574	56147574	1	SMALL BLOCK	
56147672	56147672	1	GUIDE PIN	
56157239	56157239	1	GEAR SELECTOR	
56157271	56157271	1	COMMAND LEVER	
56157303	56157303	1	SPACER	
56157324	56157324	1	PTO LEVER	

SERIAL

CONTROLS (340)

CODE REV

J03_0_60869



FERRARI

300 TRENDY

CONTROLS
MANDOS

COMANDI (340)

COMMANDES
ANTRIEBE

DALLA MACCHINA
DE LA MAQUINA
FROM THE MACHINE
AB DER MASCHINE

N.

J03 0

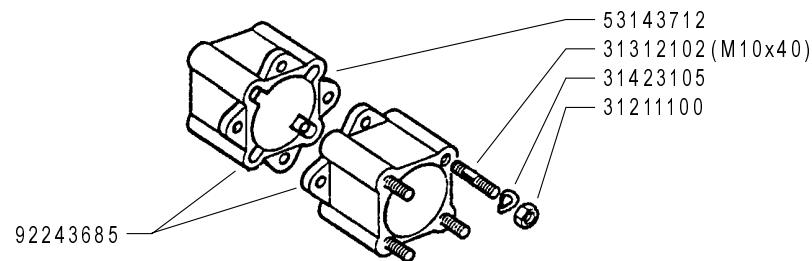
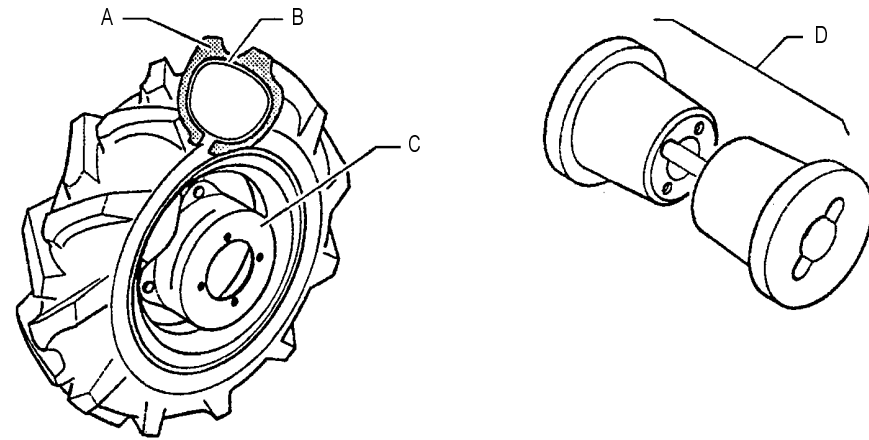
10/2008

Rev.

ZENNE

Pos.	Code	Q.ty	Description	Notes
56157363	56157363	1	PULL ROD	
56157364	56157364	1	PULL ROD	
58043176	58043176	1	SPRING	
58047671	58047671	1	SPRING	
58057232	58057232	1	SPRING	
59057008	59057008	1	SUPPORT	
59057300	59057300	1	GEAR LEVER	
59057317	59057317	1	LEVER	
F0831193	F0831193010	1	SPRING DM.15X70	

	A	B	C	D	
	3.50 - 8"	39113502	39413502	58052326	92243686 (Kg.10)
	4.00 - 8"	39114008	39414008	58052326	92243686 (Kg.10)
★	4.0 - 10"	39114010	39414010	58052288 (FIX)	/
	4.0 - 10"	39114010	39414010	58052327	92248715 (Kg.15)
★	5.0 - 10"	39115010	39415010	58052288 (FIX)	/
	5.0 - 10"	39115010	39415010	58052327	92248715 (Kg.15)
	5.00 - 12"	39115012	39415012	58052328	92248720 (Kg.34)
★	6.5/80 - 12"	39116018	39416018	58052328	92480721 (Kg.34)



FERRARI

300 TRENDY

RUOTE

WHEELS
RUEDAS

ROUES
RÄDER

DALLA MACCHINA
FROM THE MACHINE
DE LA MACHINE
DE LA MAQUINA
AB DER MASCHINE

AGGIORNAMENTO
REVISION
MISE A JOUR
APLAZAMIENTO
ANPASSUNG

★ N.

K01

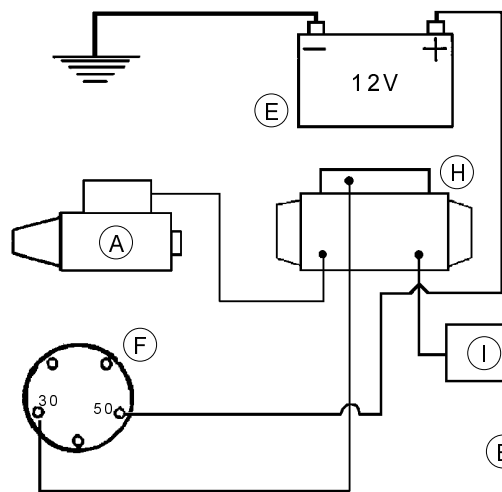
Rev.

1

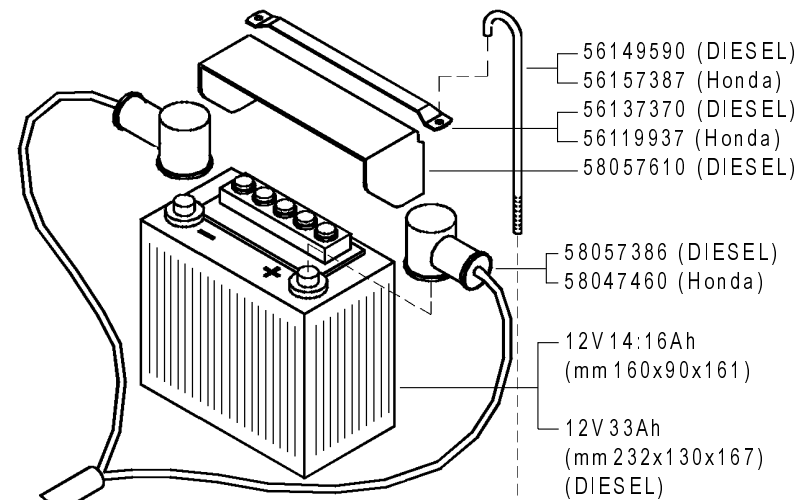
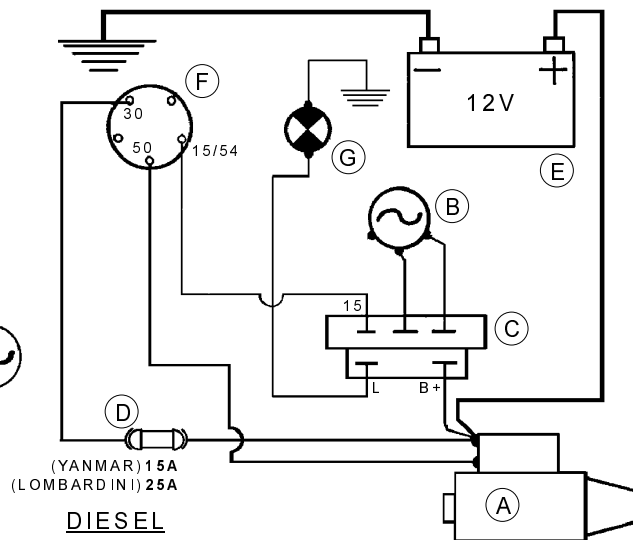
10/2008

ZENNE

Pos.	Code	Q.ty	Description	Notes
31211100	31211100	1	NUT M10	
31312102	31312102	1	STUD BOLT M10X40X24X12	
31423105	31423105	1	SPRING WASHER 10,5	
39113502	39113502	1	TYRE 3.50-8 2PR	
39114008	39114008	1	TYRE 4.00-8 2PR	
39114010	39114010	1	TYRE 4.0-10 2PR	
39115010	39115010	1	TYRE 5.00-10 2PR	
39115012	39115012	1	TYRE 5.00-12 2PR	
39116018	39116018	1	TYRE 6.5/80-12 2PR	
39413502	39413502	1	INNER TUBE	
39414008	39414008	1	INNER TUBE	
39414010	39414010	1	INNER TUBE	
39415010	39415010	1	INNER TUBE	
39415012	39415012	1	INNER TUBE	
39416018	39416018	1	INNER TUBE	
53143712	53143712	1	SPACER	
58052288	58052288	1	RIM	
58052326	58052326	1	RIM	
58052327	58052327	1	RIM	
58052328	58052328	1	RIM	
92243685	92243685	1	PAIR WHEEL SPACERS 6 CM	
92243686	92243686	1	PAIR OF WEIGHTS FOR 8 WHEELS 11 KGS	
92248715	92248715	1	PAIR OF WEIGHTS FOR 10 WHEELS 15 KGS	
92248720	92248720	1	PAIR OF WEIGHTS FOR 12 AND 15 WHEELS - 34 KGS	
92480721	92480721	1	WEIGHTS KG. 34 FOR WHEELS 5.00-12 / 6.5/80-12 (PAIR) (0901012307)	



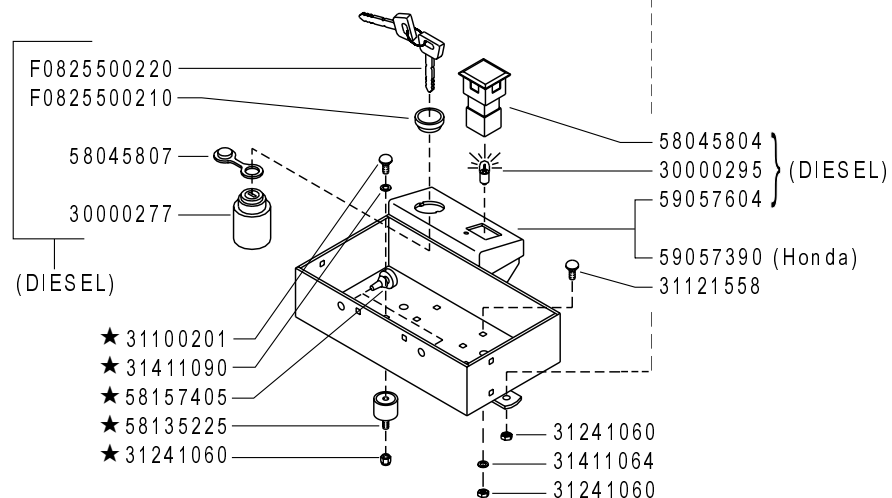
HONDA



A	B	C	D
MOTORINO D'AVVIAMENTO STARTER DÉMARREUR MOT. DE ARRANQUE ANLASSMOTOR	GENERATORE GENERATOR GÉNÉRATEUR GENERADOR GENERATOR	REGOLATORE REGULATOR RÉGULATEUR REGULADOR REGLER	FUSIBILI FUSES FUSIBLES FUSIBLES SCHMELZSICHERUNGEN

E	F	G	H	I
BATTERIA BATTERY BATTERIE BATERIA BATTERIE	INTERRUTTORE SWITCH INTERRUPTEUR INTERRUPTOR SCHALTER	SPIA CARICA BATTERIA BATTERY LONG WARN. LIGHT TEMOIN CHARG. BATTERIE LUZ CARGA BATERIA BATTERIELADUNG KTRL. LAMPE	SOLENOIDE SOLENOID SOLÉNOÏDE SOLENOIDE SOLENOID	DIODO DIODE DIODE DIODE DIODE

(1) sostituisce 30000276



FERRARI

300 TRENDY

AVVIAMENTO ELETTRICO (320 - 330 - 340 ★)

ELECTRIC STARTER
ARRANQUE ELECTRICO

DÉMARRAGE ÉLECTRIQUE
ELEKTROSTART

DALLA MACCHINA
FROM THE MACHINE
DE LA MACHINE
DE LA MAQUINA
AB DER MASCHINE

★ N.

(320) 823723

(330) 823957

L01 2

10/2008

Rev.

ZENNE

Pos.	Code	Q.ty	Description	Notes
30000277	30000277	1	SWITCH	
30000295	30000295	1	LAMP	
31100201	31100201	1	SCREW TTQ M6X12 UNI 5731	
31121558	31121558	1	SCREW TTQ M6X16 UNI 5731	
31241060	31241060	1	HEXAGON SELFLOCK NUT M6	
31411064	31411064	1	WASHER 6,4x12,5	
31411090	31411090	1	WASHER 9x24	
56119937	56119937	1	BATTERY SUPPORT	
56137370	56137370	1	BATTERY BRACKET	
56149590	56149590	1	BATTERY BRACKET	
56157387	56157387	1	ROD	
58045804	58045804	1	WARNING LIGHT	
58045807	58045807	1	LOCK COVER	
58047460	58047460	1	WIRING	
58057386	58057386	1	WIRING	
58057610	58057610	1	BOX	
58135225	58135225	1	VIBRATION-DAMPING	
58157405	58157405	1	PLUG	
59057390	59057390	1	BOX	
59057604	59057604	1	BOX	
F0825500	F0825500210	1	RING NUT	
F0825500	F0825500220	1	KEY	

SERIAL

ELECTRIC STARTER

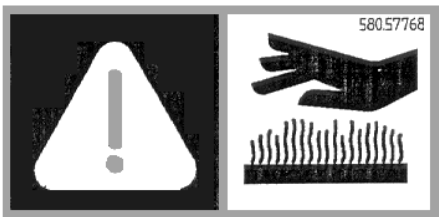
Version: 320 trendy, 330 trendy

CODE REV

L01_2_60940



58057767



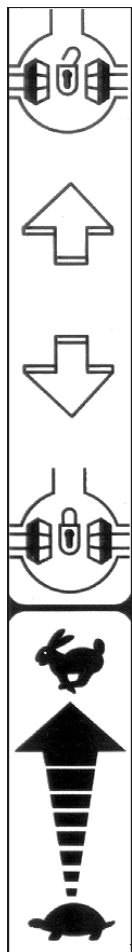
58057768



58057724

580.57770 KUPPLUNG
EMBRAYAGE
EMBRAGUE
CLUTCH
FRIZIONE

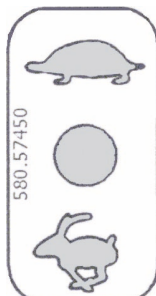
58057770



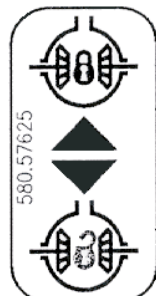
58057688



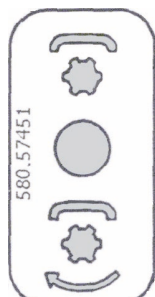
58057746 ★



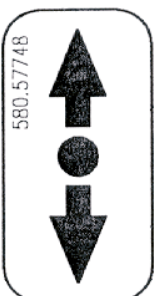
58057450 ★



58057625 ★



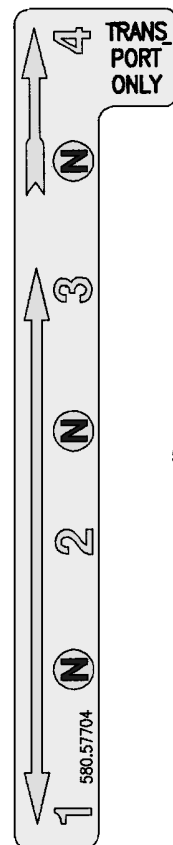
58057451 ★



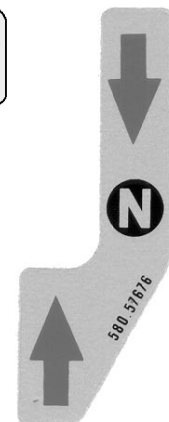
58057748 ★



58093089 ★



58057704 ★



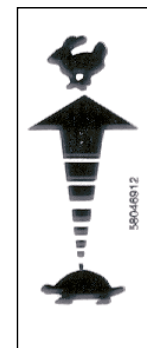
58057676



58057678



58057677



58046912



58057772

FERRARI

300 TRENDY

ADESIVE

STICKERS
ADHESIVOS

AUTOCOLLANTS
AUFKLEBES

DALLA MACCHINA
FROM THE MACHINE
DE LA MACHINE
DE LA MAQUINA
AB DER MASCHINE

★ N.

AGGIORNAMENTO
REVISION
MISE A JOUR
APLAZAMIENTO
ANPASSUNG

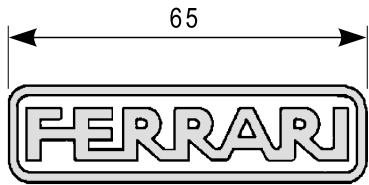
M01 1

10/2008

Rev.

ZENNE

Pos.	Code	Q.ty	Description	Notes
58046912	58046912	1	DECAL	
58057450	58057450	1	DECAL	
58057451	58057451	1	DECAL	
58057625	58057625	1	DECAL	
58057676	58057676	1	DECAL	
58057677	58057677	1	DECAL	
58057678	58057678	1	DECAL	
58057688	58057688	1	DECAL	
58057704	58057704	1	DECAL	
58057724	58057724	1	DECAL	
58057746	58057746	1	DECAL	
58057748	58057748	1	DECAL	
58057767	58057767	1	DECAL	
58057768	58057768	1	DECAL	
58057770	58057770	1	DECAL	
58057772	58057772	1	DECAL	
58093089	58093089	1	DECAL	



58052156

310

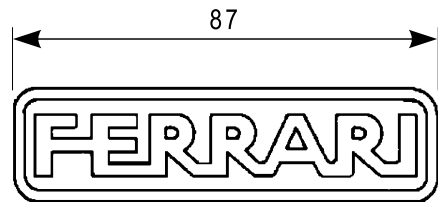
58052037

320

58052026

330

58052039



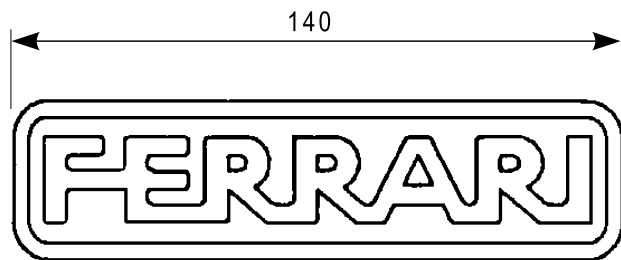
58052019

340

58052047 ★

TRENDY

58052045



58052029

TRENDY

58052046

FERRARI

300 TRENDY

STICKERS
ADHESIVOS

ADESIVI

AUTOCOLLANTS
AUFKLEBES

DALLA MACCHINA
FROM THE MACHINE
DE LA MACHINE
DE LA MAQUINA
AB DER MASCHINE

★ N.

AGGIORNAMENTO
REVISION
MISE A JOUR
APLAZAMIENTO
ANPASSUNG

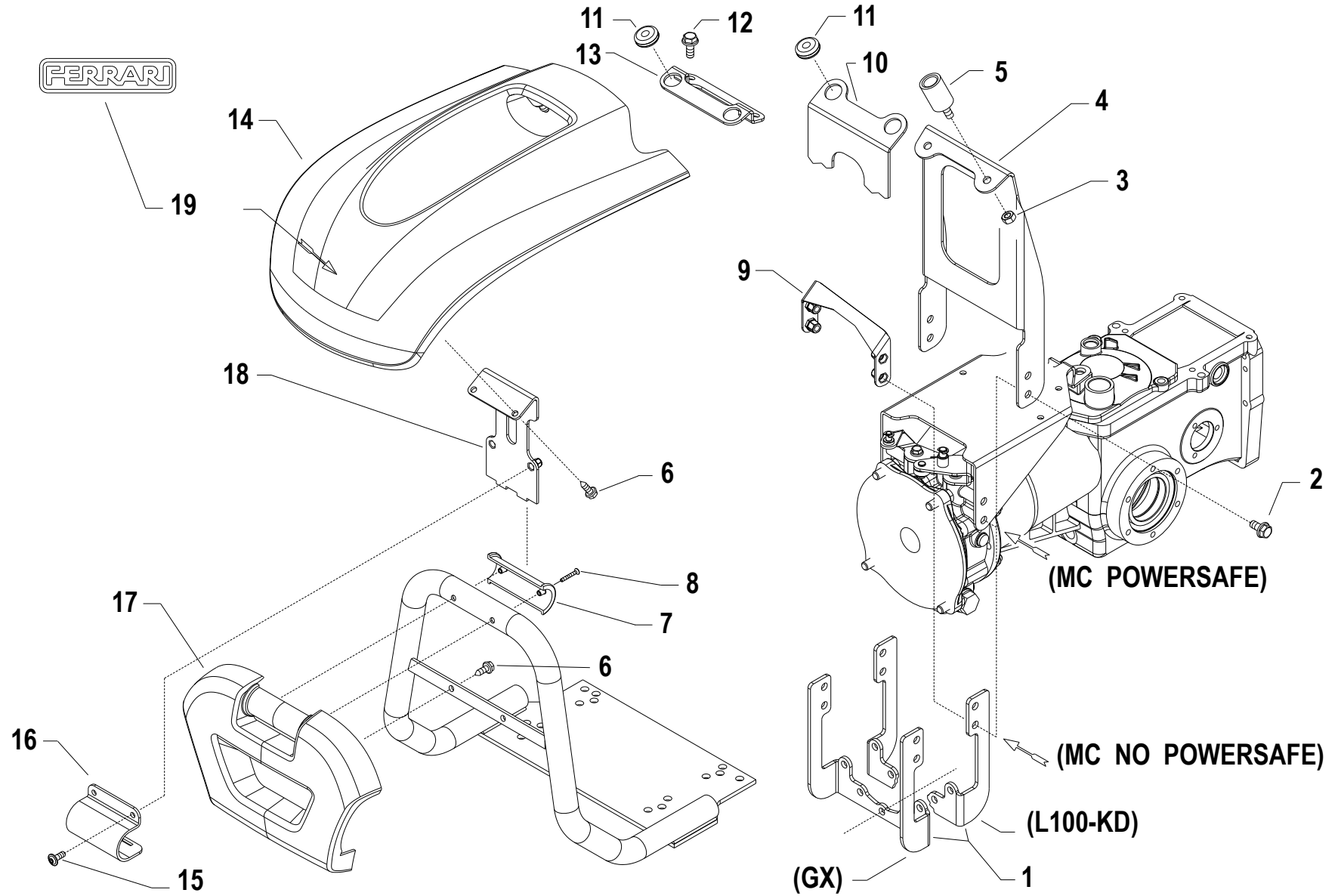
M02 1

10/2008

Rev.

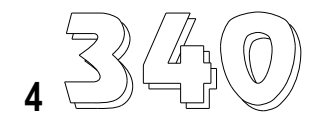
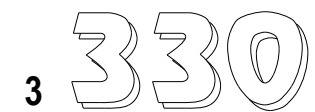
ZENNE

Pos.	Code	Q.ty	Description	Notes
58052019	58052019	1	DECAL	
58052026	58052026	1	DECAL	
58052029	58052029	1	DECAL	
58052037	58052037	1	DECAL	
58052039	58052039	1	DECAL	
58052045	58052045	1	DECAL	
58052046	58052046	1	DECAL	
58052047	58052047	1	DECAL	
58052156	58052156	1	DECAL	



i = info - stop 2 sec. ★ = new part

Pos.	Code	Q.ty	Description	Notes
1	56157515N		HOLDER	
2	31112170		SCREW TE C/F M8X20 DIN 6921	
3	31211080		NUT M8	
4	56157516N		SUPPORT	L100
4	56157498N		SUPPORT	KD440
4	56157499N		SUPPORT	KD350 - GX340 - GX390 - POWERSAFE
4	56157513N		SUPPORT	GX270
5	58042111		STOPPER	
6	31510100		RIBBED SCREW 6,3X19 UNI 6950	
7	55252504		HALF BEARING	
8	31100451		SCREW 3,5X25	
9	59257488		SUPPORT	NO POWERSAFE SERIES
10	56157495N		SUPPORT	KD350
11	58056991		CABLE GLAND	
12	31112171		SCREW TE C/F M8X16 DIN 6921	3LD510
13	561C0078N		REAR SUPPORT	3LD510
14	55252502		BONNET	
15	31121018		SCREW TBCEI FLANG. M6X16	
16	56157519N		RH HINGE	
17	55252503		FREGIO ANT.MC 2010 FERRARI	
18	59257517		PLATE	KD440 - L100
18	59257523		PLATE	KD350 - GX
18	592C0080		PLATE	3LD510
19	53052175		MEDIUM FERRARI BRAND	



i = info - stop 2 sec. ★ = new part

Pos.	Code	Q.ty	Description	Notes
1	58052178		DECAL	
2	58052179		DECAL	
3	58052180		DECAL	
4	58052181		DECAL	
5	58052019		DECAL	
6	58052029		DECAL	
7	58052045		DECAL	
8	58052046		DECAL	

SPARE PARTS INSTANCE INDEX





SPARE PARTS INSTANCE INDEX

Code	Parts Table	Pos.	Q.ty	Code	Parts Table	Pos.	Q.ty	Code	Parts Table	Pos.	Q.ty
30000277	L01_2_60940	30000277	1	31112154	I03_0_60817	31112154	1	31241084	C01_2_60545	31241084	1
30000295	L01_2_60940	30000295	1	31112170	S.01.01.A0027_00	2			C01_3_60548	31241084	1
30010120	J03_0_60869	30010120	1	31112171	S.01.01.A0027_00	12		31241085	E02_0_60592	31241085	1
30040001	E02_0_60592	30040001	1	31112211	F.03.02.A0027_01	20		31241100	H03_0_60737	31241100	1
31100003	D.01.02.A0027_03	13			F03_0_60629	31112211	1	31241120	J03_0_60869	31241120	1
	D01_2_60564	31100003	1	31112219	E02_0_60592	31112219	1	31241126	H03_0_60737	31241126	1
31100015	D.01.02.A0027_03	13		31112293	H03_0_60737	31112293	1	31312080	G03_0_60674	31312080	1
	D01_2_60564	31100015	1	31112701	J03_0_60869	31112701	1	31312082	E02_0_60592	31312082	1
31100201	L01_2_60940	31100201	1	31121018	S.01.01.A0027_00	15		31312083	D.01.02.A0027_03	11	
31100451	C.01.01.A0027_04	12		31121558	C01_1_60543	31121558	1		D01_2_60564	31312083	1
	C01_3_60548	31100451	1		C01_2_60545	31121558	1	31312084	E02_0_60592	31312084	1
	H03_0_60737	31100451	1		L01_2_60940	31121558	1	31312088	D01_2_60564	31312088	1
	I03_0_60817	31100451	1	31211080	D01_2_60564	31211080	1	31312094	E02_0_60592	31312094	1
	J03_0_60869	31100451	1		H03_0_60737	31211080	1	31312102	G03_0_60674	31312102	1
	S.01.01.A0027_00	8			I03_0_60817	31211080	1		K01_1_60913	31312102	1
31111086	H03_0_60737	31111086	1		S.01.01.A0027_00	3		31312125	E02_0_60592	31312125	1
31111090	E02_0_60592	31111090	1	31211100	G03_0_60674	31211100	1	31411043	H03_0_60737	31411043	1
31111097	I03_0_60817	31111097	1		K01_1_60913	31211100	1	31411064	C01_1_60543	31411064	1
31111229	H03_0_60737	31111229	1	31221121	E02_0_60592	31221121	1		C01_2_60545	31411064	1
31112081	C.01.01.A0027_04	7		31241060	C01_1_60543	31241060	1		C01_3_60548	31411064	1
31112085	C01_3_60548	31112085	1		C01_2_60545	31241060	1		L01_2_60940	31411064	1
31112089	I03_0_60817	31112089	1		C01_3_60548	31241060	1	31411084	C01_1_60543	31411084	1
31112092	I03_0_60817	31112092	1		I03_0_60817	31241060	1		G03_0_60674	31411084	1
31112148	J03_0_60869	31112148	1		L01_2_60940	31241060	1		J03_0_60869	31411084	1
31112149	J03_0_60869	31112149	1	31241066	C.01.01.A0027_04	13		31411090	L01_2_60940	31411090	1
31112150	E02_0_60592	31112150	1	31241080	C01_1_60543	31241080	1	31411104	J03_0_60869	31411104	1
	H03_0_60737	31112150	1		D.01.02.A0027_03	9		31411130	J03_0_60869	31411130	1
31112152	G03_0_60674	31112152	1		D01_2_60564	31241080	1	31414130	J03_0_60869	31414130	1
31112153	I03_0_60817	31112153	1		E02_0_60592	31241080	1	31421083	E02_0_60592	31421083	1
31112154	C.01.01.A0027_04	1			G03_0_60674	31241080	1		H03_0_60737	31421083	1
	C01_1_60543	31112154	1		H03_0_60737	31241080	1		J03_0_60869	31421083	1
	C01_2_60545	31112154	1		J03_0_60869	31241080	1	31421100	H03_0_60737	31421100	1
	C01_3_60548	31112154	1	31241083	D.01.02.A0027_03	9		31421101	F.03.02.A0027_01	21	
	H03_0_60737	31112154	1	31241084	C.01.01.A0027_04	2			F03_0_60629	31421101	1



SPARE PARTS INSTANCE INDEX

Code	Parts Table	Pos.	Q.ty	Code	Parts Table	Pos.	Q.ty	Code	Parts Table	Pos.	Q.ty
31421132	E02_0_60592	31421132	1	35111055	F03_0_60629	35111055	1	39115012	K01_1_60913	39115012	1
31422064	E02_0_60592	31422064	1	35121014	E02_0_60592	35121014	1	39116018	K01_1_60913	39116018	1
31423084	D.01.02.A0027_03	12		35121031	F.03.02.A0027_01	6		39413502	K01_1_60913	39413502	1
	D01_2_60564	31423084	1		F03_0_60629	35121031	1	39414008	K01_1_60913	39414008	1
	E02_0_60592	31423084	1	35211120	F.03.02.A0027_01	33		39414010	K01_1_60913	39414010	1
	G03_0_60674	31423084	1		F03_0_60629	00	1	39415010	K01_1_60913	39415010	1
	H03_0_60737	31423084	1	37111150	F.03.02.A0027_01	1		39415012	K01_1_60913	39415012	1
	I03_0_60817	31423084	1		F03_0_60629	37111150	1	39416018	K01_1_60913	39416018	1
	J03_0_60869	31423084	1	37111152	F.03.02.A0027_01	32		50956262	D.01.02.A0027_03	4	
31423105	D.01.02.A0027_03	12			F03_0_60629	37111152	1		D01_2_60564	50956262	1
	D01_2_60564	31423105	1	37111250	G03_0_60674	37111250	1	52156917	H03_0_60737	52156917	1
	G03_0_60674	31423105	1	37111253	G03_0_60674	37111253	1	52357250	J03_0_60869	52357250	1
	K01_1_60913	31423105	1	37112173	D.01.02.A0027_03	6		52447896	D.01.02.A0027_03	3	
31510099	C01_1_60543	31510099	1		D01_2_60564	37112173	1		D01_2_60564	52447896	1
	C01_2_60545	31510099	1	37112229	F.03.02.A0027_01	7		52448187	G03_0_60674	52448187	1
31510100	C.01.01.A0027_04	10			F03_0_60629	37112229	1	52448188	G03_0_60674	52448188	1
	C01_1_60543	31510100	1	37141250	F.03.02.A0027_01	26		52456336	F.03.02.A0027_01	10	
	C01_2_60545	31510100	1		F03_0_60629	37141250	1		F03_0_60629	52456336	1
	C01_3_60548	31510100	1	37320120	F.03.02.A0027_01	14		52456340	F.03.02.A0027_01	31	
	S.01.01.A0027_00	6			F03_0_60629	37320120	1		F03_0_60629	52456340	1
34110028	J03_0_60869	34110028	1	37910832	F.03.02.A0027_01	12		52456349	F.03.02.A0027_01	22	
34211042	F.03.02.A0027_01	17			F03_0_60629	37910832	1		F03_0_60629	52456349	1
	F03_0_60629	34211042	1	37911532	J03_0_60869	37911532	1	52456354	F.03.02.A0027_01	29	
34213020	J03_0_60869	34213020	1	38111191	J03_0_60869	38111191	1		F03_0_60629	52456354	1
34213022	J03_0_60869	34213022	1	38111400	G03_0_60674	38111400	1	52456360	F.03.02.A0027_01	30	
34213024	J03_0_60869	34213024	1	38211400	J03_0_60869	38211400	1		F03_0_60629	52456360	1
34213060	F.03.02.A0027_01	24		38211500	E02_0_60592	38211500	1	52456362	F03_0_60629	52456362	1
	F03_0_60629	34213060	1	38213002	G03_0_60674	38213002	1	52456370	F.03.02.A0027_01	3	
34213061	F.03.02.A0027_01	25		38213800	F.03.02.A0027_01	9			F03_0_60629	52456370	1
	F03_0_60629	34213061	1		F03_0_60629	38213800	1	52456389	F03_0_60629	52456389	1
35111047	G03_0_60674	35111047	1	39113502	K01_1_60913	39113502	1	52456390	F.03.02.A0027_01	19	
35111053	F.03.02.A0027_01	28		39114008	K01_1_60913	39114008	1		F03_0_60629	52456390	1
	F03_0_60629	35111053	1	39114010	K01_1_60913	39114010	1	52456706	F.03.02.A0027_01	5	
35111055	F.03.02.A0027_01	8		39115010	K01_1_60913	39115010	1	53052175	S.01.01.A0027_00	19	



SPARE PARTS INSTANCE INDEX

Code	Parts Table	Pos.	Q.ty	Code	Parts Table	Pos.	Q.ty	Code	Parts Table	Pos.	Q.ty
53143712	K01_1_60913	53143712	1	55252406	C01_2_60545	55252406	1	56150361	I03_0_60817	56150361	1
53152401	E02_0_60592	53152401	1		C01_3_60548	55252406	1	56152403	E02_0_60592	56152403	1
53152402	E02_0_60592	53152402	1	55252413	C.01.01.A0027_04	16		56156261	E02_0_60592	56156261	1
53152412	E02_0_60592	53152412	1		C01_1_60543	55252413	1	56156276	D.01.02.A0027_03	8	
53156150	D.01.02.A0027_03	10			C01_2_60545	55252413	1		D01_2_60564	56156276	1
	D01_2_60564	53156150	1		C01_3_60548	55252413	1	56156281	D.01.02.A0027_03	8	
53243851	G03_0_60674	53243851	1	55252415	C01_1_60543	55252415	1		D01_2_60564	56156281	1
53247488	D.01.02.A0027_03	10			C01_2_60545	55252415	1	56156284	D.01.02.A0027_03	7	
	D01_2_60564	53247488	1	55252502	S.01.01.A0027_00	14			D01_2_60564	56156284	1
55102678	E02_0_60592	55102678	1	55252503	C.01.01.A0027_04	9		56156285	D.01.02.A0027_03	7	
55147842	D01_2_60564	55147842	1		C01_3_60548	55252503	1		D01_2_60564	56156285	1
55156481	D.01.02.A0027_03	2			S.01.01.A0027_00	17		56156603	I03_0_60817	56156603	1
55157212	H03_0_60737	55157212	1	55252504	C.01.01.A0027_04	11		56156604	I03_0_60817	56156604	1
	I03_0_60817	55157212	1		C01_3_60548	55252504	1	56156940	H03_0_60737	56156940	1
	J03_0_60869	55157212	1		S.01.01.A0027_00	7		56156948	H03_0_60737	56156948	1
55157213	H03_0_60737	55157213	1	55257209	I03_0_60817	55257209	1	56157208	I03_0_60817	56157208	1
	I03_0_60817	55157213	1	55257313	J03_0_60869	55257313	1	56157239	J03_0_60869	56157239	1
	J03_0_60869	55157213	1	55257321	J03_0_60869	55257321	1	56157271	J03_0_60869	56157271	1
55157214	I03_0_60817	55157214	1	552C1001	C.01.01.A0027_04	6		56157303	J03_0_60869	56157303	1
55157215	I03_0_60817	55157215	1	56119937	L01_2_60940	56119937	1	56157324	J03_0_60869	56157324	1
55157609	D.01.02.A0027_03	1		56137370	L01_2_60940	56137370	1	56157363	J03_0_60869	56157363	1
	D01_2_60564	55157609	1	56143880	G03_0_60674	56143880	1	56157364	J03_0_60869	56157364	1
55220363	E02_0_60592	55220363	1	56143883	G03_0_60674	56143883	1	56157387	L01_2_60940	56157387	1
55243340	H03_0_60737	55243340	1	56147560	J03_0_60869	56147560	1	56157393	C01_1_60543	56157393	1
55247644	J03_0_60869	55247644	1	56147574	J03_0_60869	56147574	1		C01_2_60545	56157393	1
55248038	I03_0_60817	55248038	1	56147655	I03_0_60817	56147655	1		C01_3_60548	56157393	1
55248041	I03_0_60817	55248041	1	56147672	J03_0_60869	56147672	1	56157394	C01_3_60548	56157394	1
55248379	J03_0_60869	55248379	1	56147845	D.01.02.A0027_03	5		56157399	C01_1_60543	56157399	1
55252405	C.01.01.A0027_04	16			D01_2_60564	56147845	1		C01_2_60545	56157399	1
	C01_1_60543	55252405	1	56148037	I03_0_60817	56148037	1		C01_3_60548	56157399	1
	C01_2_60545	55252405	1	56148184	G03_0_60674	56148184	1	56157411	H03_0_60737	56157411	1
	C01_3_60548	55252405	1	56148285	I03_0_60817	56148285	1	56157412	H03_0_60737	56157412	1
55252406	C.01.01.A0027_04	15		56148287	I03_0_60817	56148287	1	56157495N	S.01.01.A0027_00	10	
	C01_1_60543	55252406	1	56149590	L01_2_60940	56149590	1	56157498N	S.01.01.A0027_00	4	



SPARE PARTS INSTANCE INDEX

Code	Parts Table	Pos.	Q.ty	Code	Parts Table	Pos.	Q.ty	Code	Parts Table	Pos.	Q.ty
56157499N	S.01.01.A0027_00	4		58043086	F.03.02.A0027_01	18		58052156	M02_1_60983	58052156	1
56157513N	S.01.01.A0027_00	4			F03_0_60629	58043086	1	58052178	M.02.02.A0027_02	1	
56157515N	S.01.01.A0027_00	1		58043117	E02_0_60592	58043117	1	58052179	M.02.02.A0027_02	2	
56157516N	S.01.01.A0027_00	4		58043176	J03_0_60869	58043176	1	58052180	M.02.02.A0027_02	3	
56157519N	S.01.01.A0027_00	16		58043216	I03_0_60817	58043216	1	58052181	M.02.02.A0027_02	4	
56157606	E02_0_60592	56157606	1	58043855	G03_0_60674	58043855	1	58052288	K01_1_60913	58052288	1
56157607	E02_0_60592	56157607	1	58043874	G03_0_60674	58043874	1	58052326	K01_1_60913	58052326	1
561C0078N	S.01.01.A0027_00	13		58043881	G03_0_60674	58043881	1	58052327	K01_1_60913	58052327	1
561C1002	C.01.01.A0027_04	5		58045804	L01_2_60940	58045804	1	58052328	K01_1_60913	58052328	1
56356328	F.03.02.A0027_01	27		58045807	L01_2_60940	58045807	1	58056391	F.03.02.A0027_01	11	
	F03_0_60629	56356328	1	58046912	M01_1_60965	58046912	1		F03_0_60629	58056391	1
56356329	F.03.02.A0027_01	27		58047460	L01_2_60940	58047460	1	58056593	I03_0_60817	58056593	1
	F03_0_60629	56356329	1	58047649	I03_0_60817	58047649	1	58056595	I03_0_60817	58056595	1
56356330	F.03.02.A0027_01	27		58047671	J03_0_60869	58047671	1	58056918	H03_0_60737	58056918	1
	F03_0_60629	56356330	1	58047712	H03_0_60737	58047712	1	58056942	H03_0_60737	58056942	1
56356331	F.03.02.A0027_01	27		58048000	I03_0_60817	58048000	1	58056991	C.01.01.A0027_04	8	
	F03_0_60629	56356331	1	58048009	H03_0_60737	58048009	1		C01_1_60543	58056991	1
56356348	F.03.02.A0027_01	16		58048012	I03_0_60817	58048012	1		C01_2_60545	58056991	1
	F03_0_60629	56356348	1	58048035	C01_1_60543	58048035	1		C01_3_60548	58056991	1
56356924	H03_0_60737	56356924	1		C01_2_60545	58048035	1		H03_0_60737	58056991	1
56443871	G03_0_60674	56443871	1		C01_3_60548	58048035	1		S.01.01.A0027_00	11	
56448183	G03_0_60674	56448183	1	58050345	I03_0_60817	58050345	1	58057205	I03_0_60817	58057205	1
56448196	G03_0_60674	56448196	1	58052019	M.02.02.A0027_02	5		58057232	J03_0_60869	58057232	1
56456347	F.03.02.A0027_01	15			M02_1_60983	58052019	1	58057263	I03_0_60817	58057263	1
	F03_0_60629	56456347	1	58052026	M02_1_60983	58052026	1	58057354	I03_0_60817	58057354	1
56456351	F03_0_60629	56456351	1	58052029	M.02.02.A0027_02	6		58057355	I03_0_60817	58057355	1
56456476	F.03.02.A0027_01	34			M02_1_60983	58052029	1	58057385	C.01.01.A0027_04	3	
	F03_0_60629	56456476	1	58052037	M02_1_60983	58052037	1		C01_1_60543	58057385	1
56456736	F.03.02.A0027_01	13		58052039	M02_1_60983	58052039	1		C01_2_60545	58057385	1
58002429	I03_0_60817	58002429	1	58052045	M.02.02.A0027_02	7			C01_3_60548	58057385	1
58002538	I03_0_60817	58002538	1		M02_1_60983	58052045	1	58057386	L01_2_60940	58057386	1
58042111	S.01.01.A0027_00	5		58052046	M.02.02.A0027_02	8		58057413	H03_0_60737	58057413	1
58042167	H03_0_60737	58042167	1		M02_1_60983	58052046	1	58057417	H03_0_60737	58057417	1
58043053	E02_0_60592	58043053	1	58052047	M02_1_60983	58052047	1	58057418	I03_0_60817	58057418	1



SPARE PARTS INSTANCE INDEX

Code	Parts Table	Pos.	Q.ty	Code	Parts Table	Pos.	Q.ty	Code	Parts Table	Pos.	Q.ty
58057419	H03_0_60737	58057419	1	59053040H	C01_2_60545	59053040	1	59257409	H03_0_60737	59257409	1
58057421	I03_0_60817	58057421	1		C01_3_60548	59053040	1	59257488	S.01.01.A0027_00	9	
58057422	I03_0_60817	58057422	1	59053221	C01_1_60543	59053221	1	59257517	S.01.01.A0027_00	18	
58057450	M01_1_60965	58057450	1	59056127H	C.01.01.A0027_04	14		59257523	S.01.01.A0027_00	18	
58057451	M01_1_60965	58057451	1		C01_2_60545	59056127	1	592C0080	S.01.01.A0027_00	18	
58057610	L01_2_60940	58057610	1		C01_3_60548	59056127	1	592C1010	D.01.02.A0027_03	14	
58057625	M01_1_60965	58057625	1	59056258	E02_0_60592	59056258	1	592C1011	D.01.02.A0027_03	14	
58057676	M01_1_60965	58057676	1	59056259	E02_0_60592	59056259	1	592C1012	D.01.02.A0027_03	14	
58057677	M01_1_60965	58057677	1	59056365	F03_0_60629	59056365	1	92243685	K01_1_60913	92243685	1
58057678	M01_1_60965	58057678	1	59056383	F.03.02.A0027_01	2		92243686	K01_1_60913	92243686	1
58057688	M01_1_60965	58057688	1		F03_0_60629	59056383	1	92248715	K01_1_60913	92248715	1
58057704	M01_1_60965	58057704	1	59056707	F.03.02.A0027_01	4		92248720	K01_1_60913	92248720	1
58057724	M01_1_60965	58057724	1	59057000	H03_0_60737	59057000	1	92480721	K01_1_60913	92480721	1
58057746	M01_1_60965	58057746	1	59057008	J03_0_60869	59057008	1	F0825500210	L01_2_60940	F0825500	1
58057748	M01_1_60965	58057748	1	59057010	H03_0_60737	59057010	1	F0825500220	L01_2_60940	F0825500	1
58057767	M01_1_60965	58057767	1	59057011	H03_0_60737	59057011	1	F0831193010	J03_0_60869	F0831193	1
58057768	M01_1_60965	58057768	1	59057210	I03_0_60817	59057210	1				
58057770	M01_1_60965	58057770	1	59057300	J03_0_60869	59057300	1				
58057772	M01_1_60965	58057772	1	59057317	J03_0_60869	59057317	1				
58093089	M01_1_60965	58093089	1	59057390	L01_2_60940	59057390	1				
58135225	L01_2_60940	58135225	1	59057604	L01_2_60940	59057604	1				
58147704	I03_0_60817	58147704	1	59247489	D.01.02.A0027_03	14					
58150313	I03_0_60817	58150313	1	59247513	D.01.02.A0027_03	14					
58156156	I03_0_60817	58156156	1	59247823	D.01.02.A0027_03	14					
58157405	L01_2_60940	58157405	1	59247884	D01_2_60564	59247884	1				
581C1004	C.01.01.A0027_04	4		59247924	D01_2_60564	59247924	1				
59015425	E02_0_60592	59015425	1	59247971	D01_2_60564	59247971	1				
59048199	G03_0_60674	59048199	1	59256255	D.01.02.A0027_03	14					
59053021	C01_1_60543	59053021	1		D01_2_60564	59256255	1				
59053021H	C.01.01.A0027_04	14		59256275	D01_2_60564	59256275	1				
	C01_2_60545	59053021	1	59256279	D01_2_60564	59256279	1				
	C01_3_60548	59053021	1	59256280	D01_2_60564	59256280	1				
59053040	C01_1_60543	59053040	1	59257147	I03_0_60817	59257147	1				
59053040H	C.01.01.A0027_04	14		59257200	I03_0_60817	59257200	1				